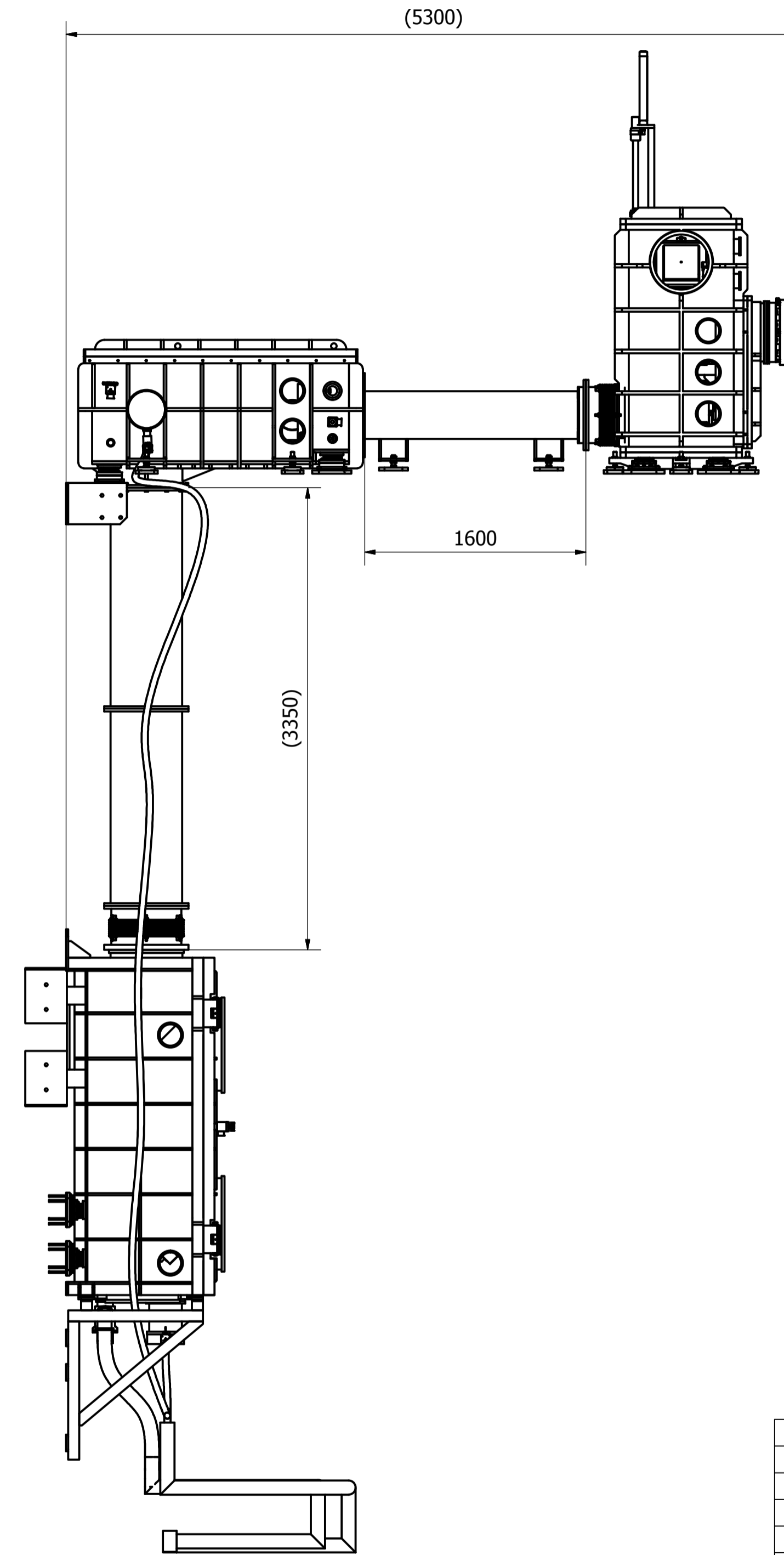
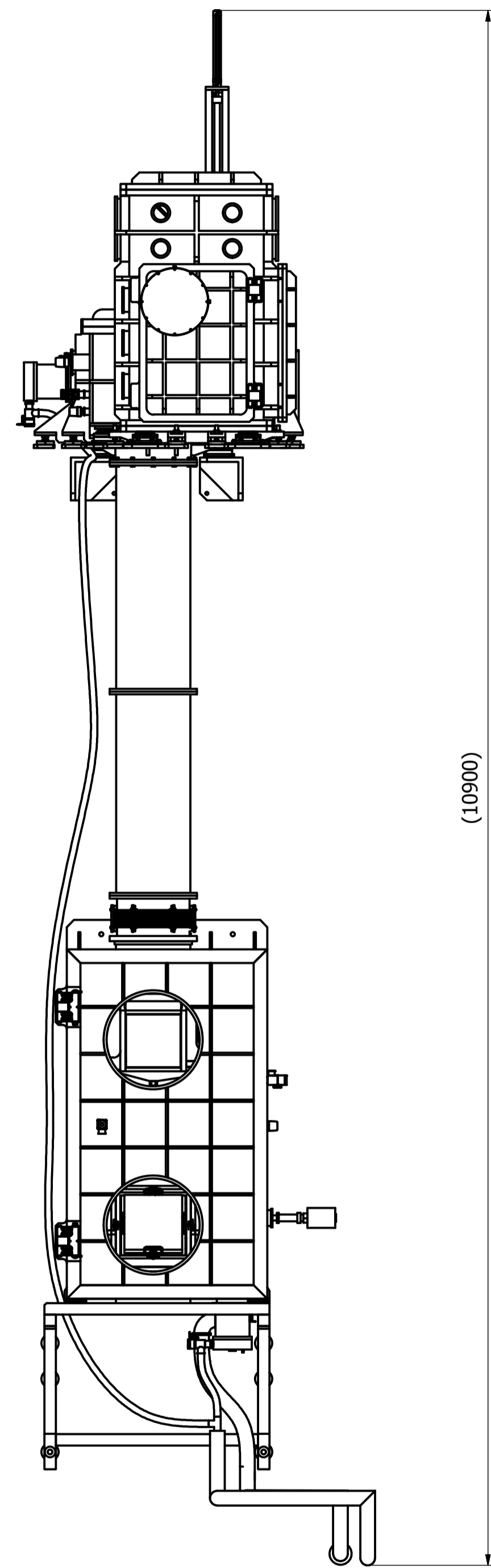
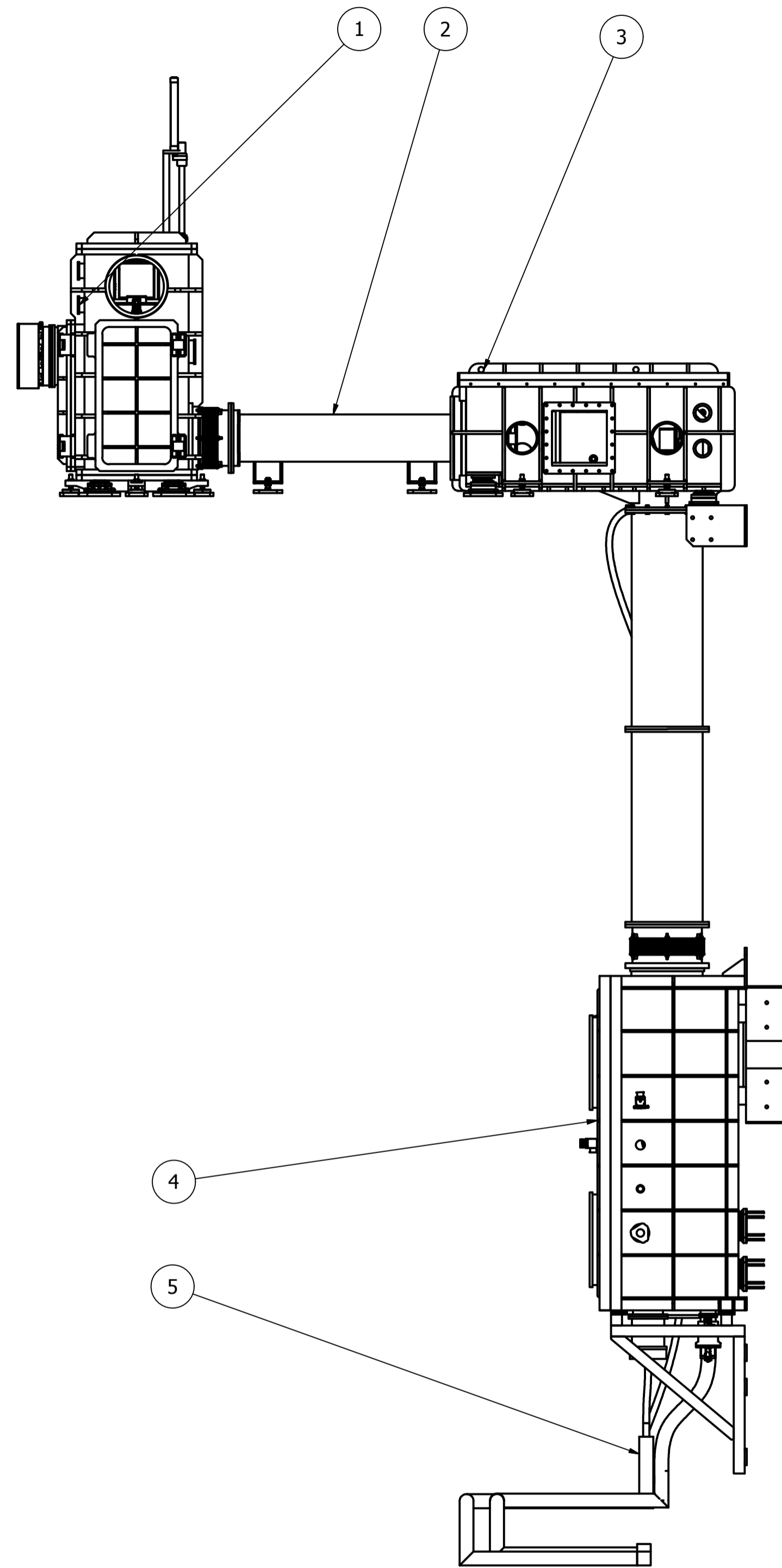


The information contained in this drawing is the sole property of FZU. Any reproduction is prohibited.		eli beamlines		Fyzikální ústav Akademie věd ČR, v. v. i.	
Drawn by: vaclav.orna	Projection:	Scale: 1:30	Sheet size: A1	Dwg. title: L4 ASSEMBLY	
Chkd by:	Date: 16.6.2017	All dimensions in mm		Dwg. no./TC ID:	Rev. 00
Material:	Tolerance: ISO2768-mK	Note:		Eli no.:	Sheets 2 of 2
Raw mat.:					
Weight:					



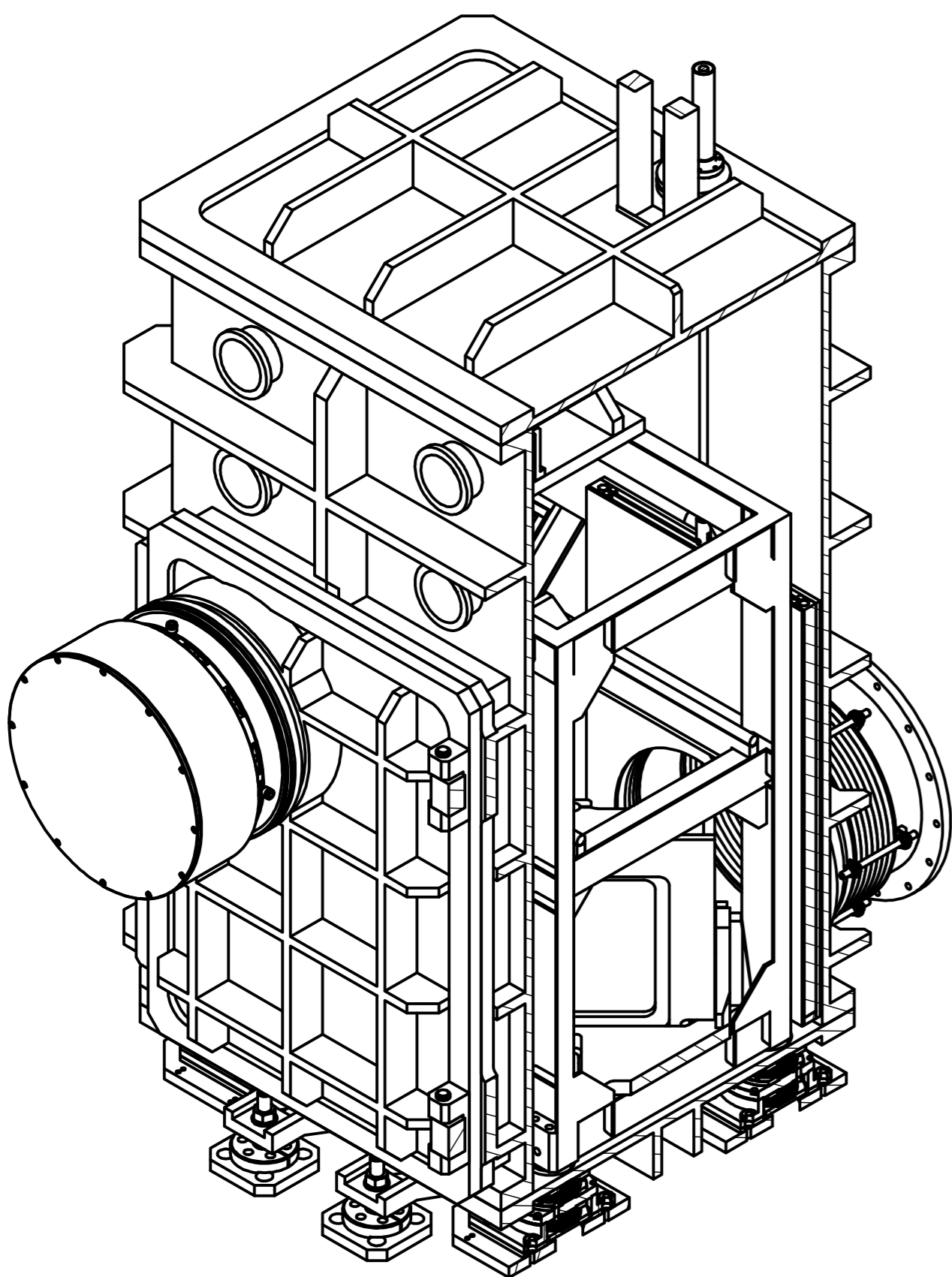
KUSOVNÍK			
POZICE	KS	ČÍSLO SOUČÁSTI	POPIS
1	1	CIS 1A	
2	1	CONNECTION CIS 1A 1B	
3	1	CIS 1B	
4	1	CIS 2	
5	1	CIS_central_vacuum	

The information contained in this drawing is the sole property of FZU. Any reproduction is prohibited.

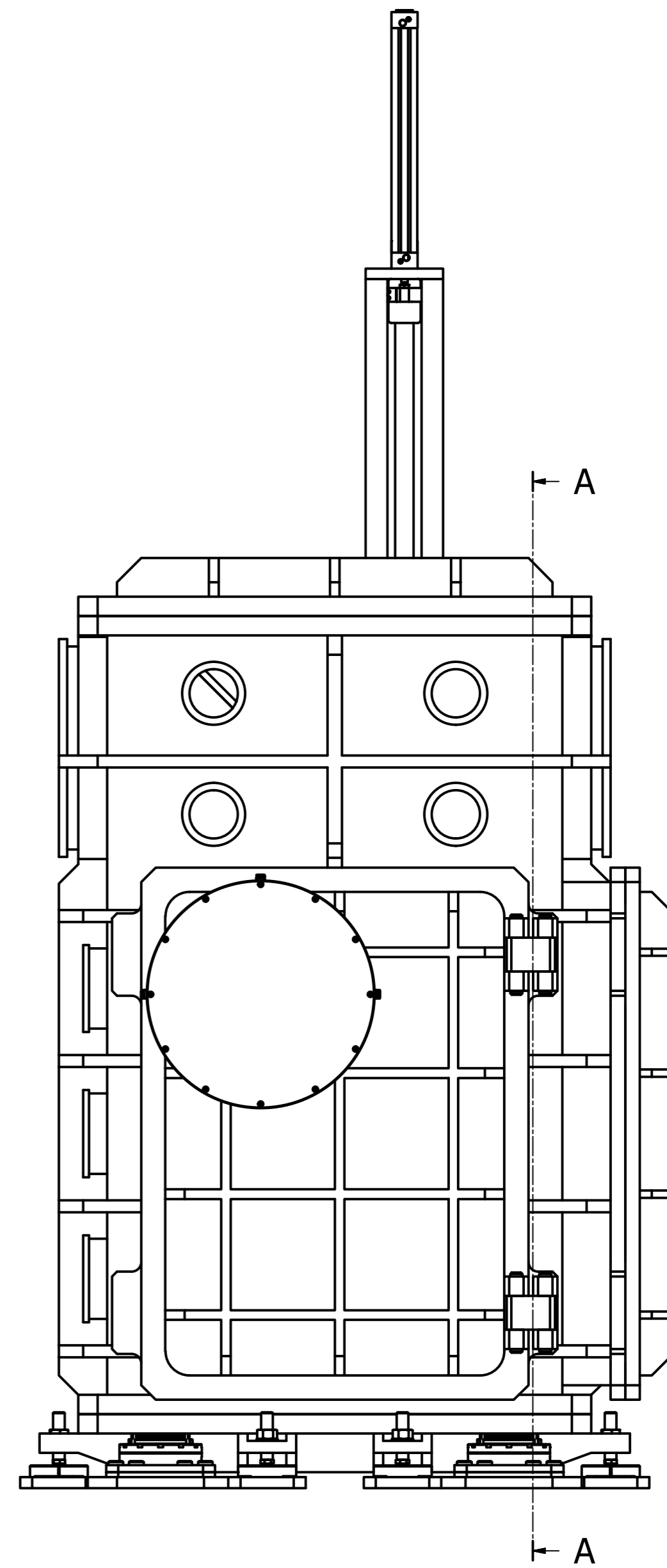
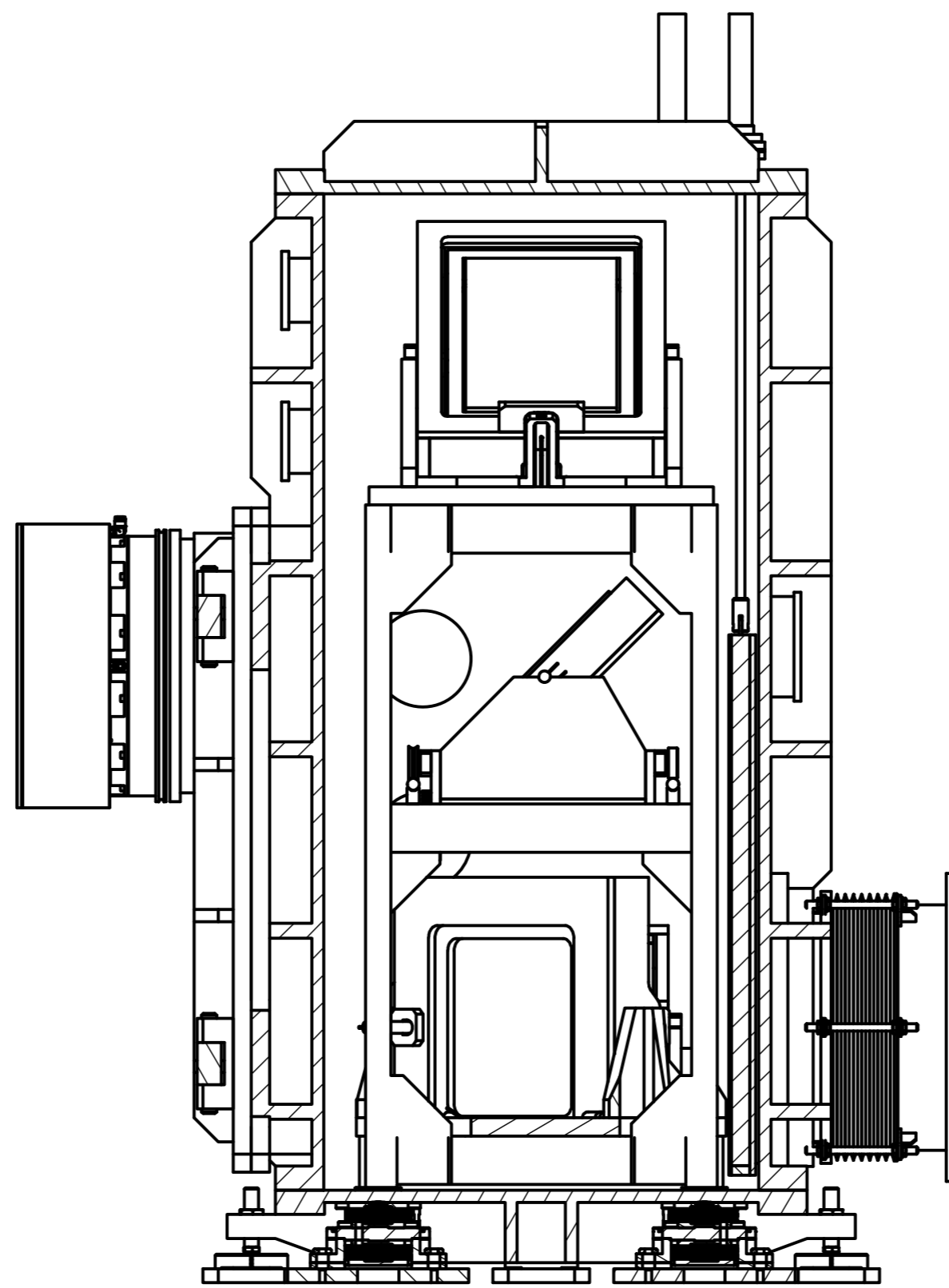
eli beamlines

Fyzikální ústav Akademie věd ČR, v. v. i.

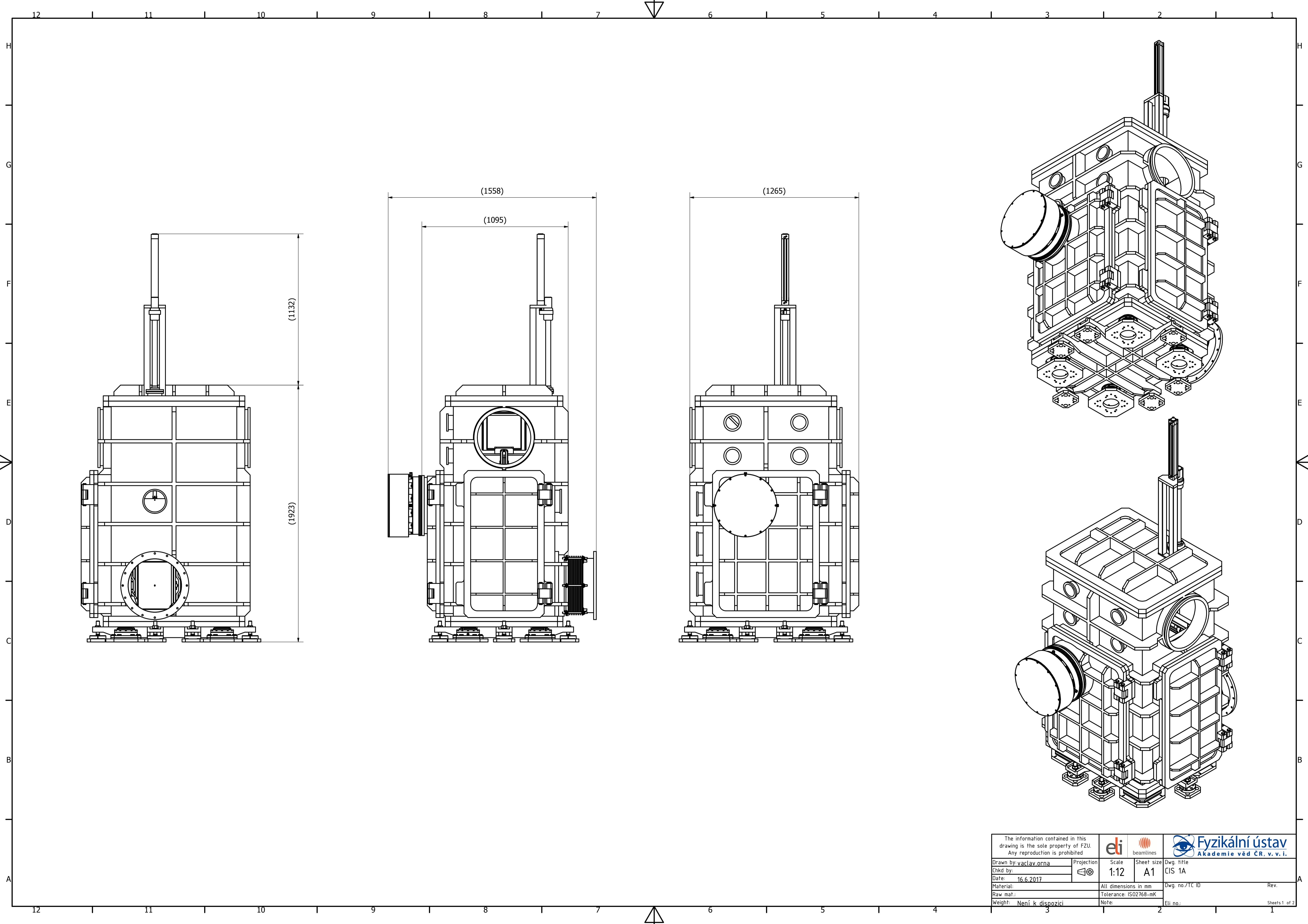
Drawn by: vaclav.orna	Projection:	Scale: 1:30	Sheet size: A1	Dwg. title: L4 ASSEMBLY
Chkd by:				
Date: 16.6.2017				
Material:	All dimensions in mm		Dwg. no./TC ID	Rev.
Raw mat.:	Tolerance: ISO2768-mK			00
Weight:	Note:		Eli no.:	Sheets 1 of 2



A-A (1 : 10)

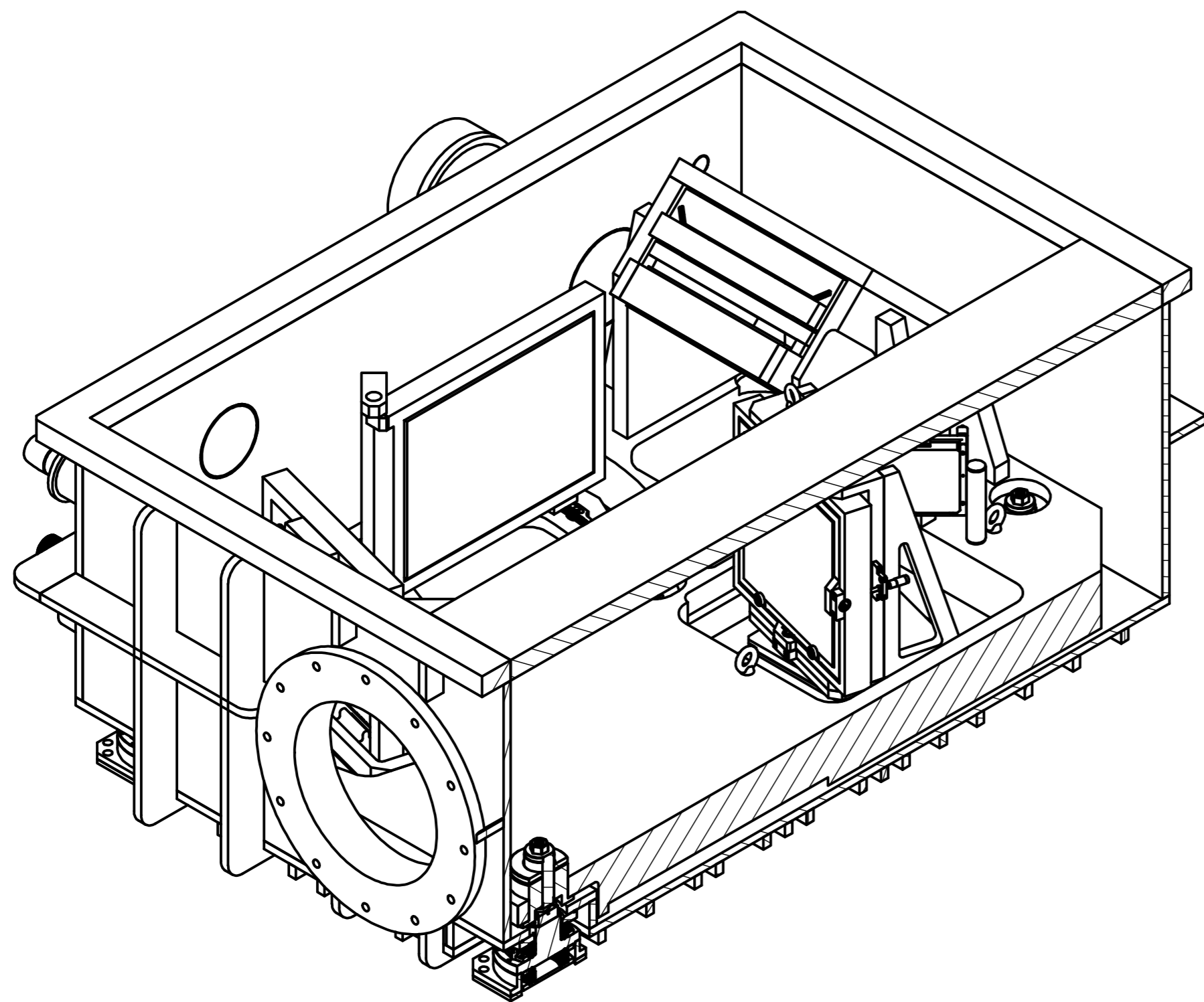
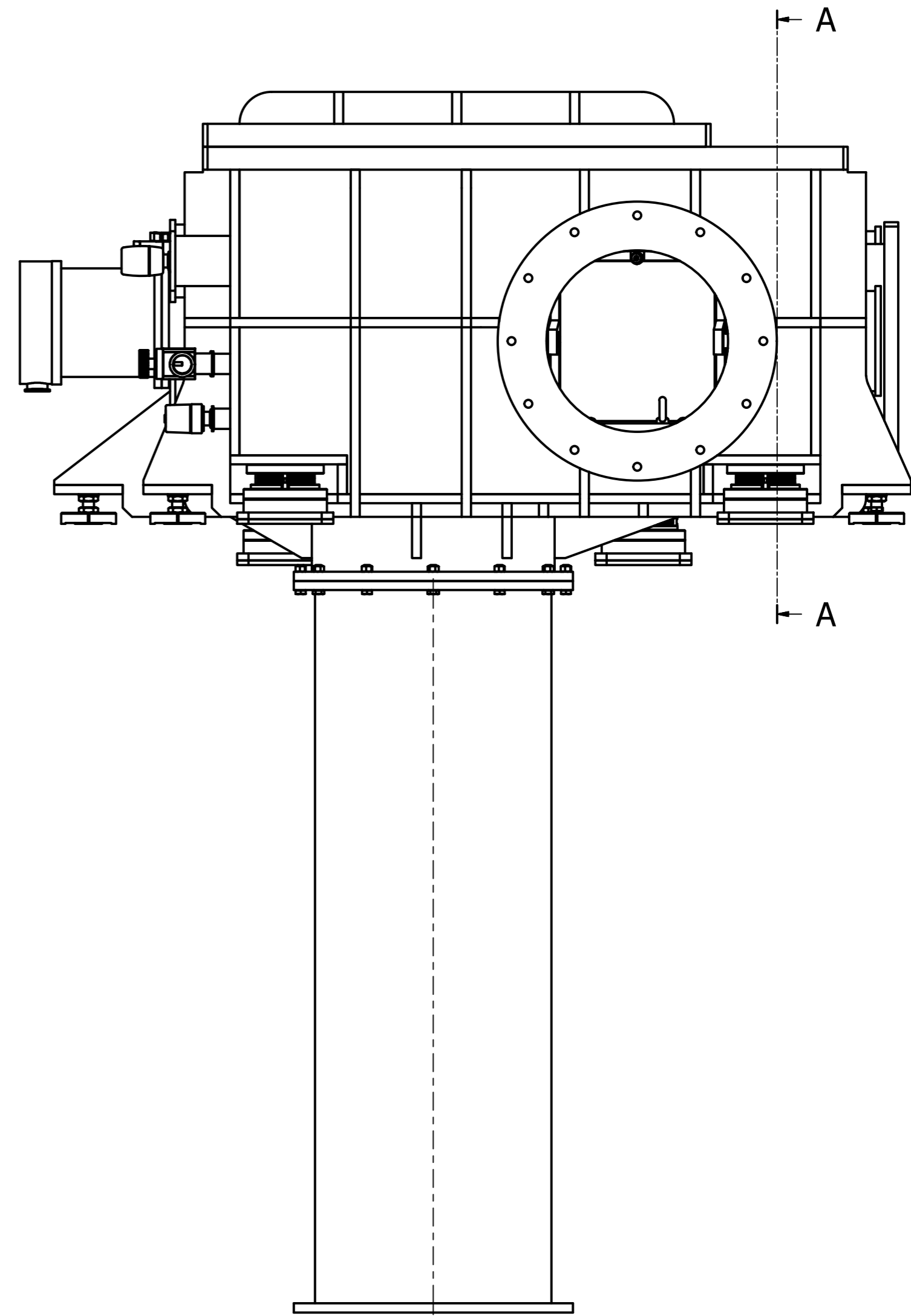
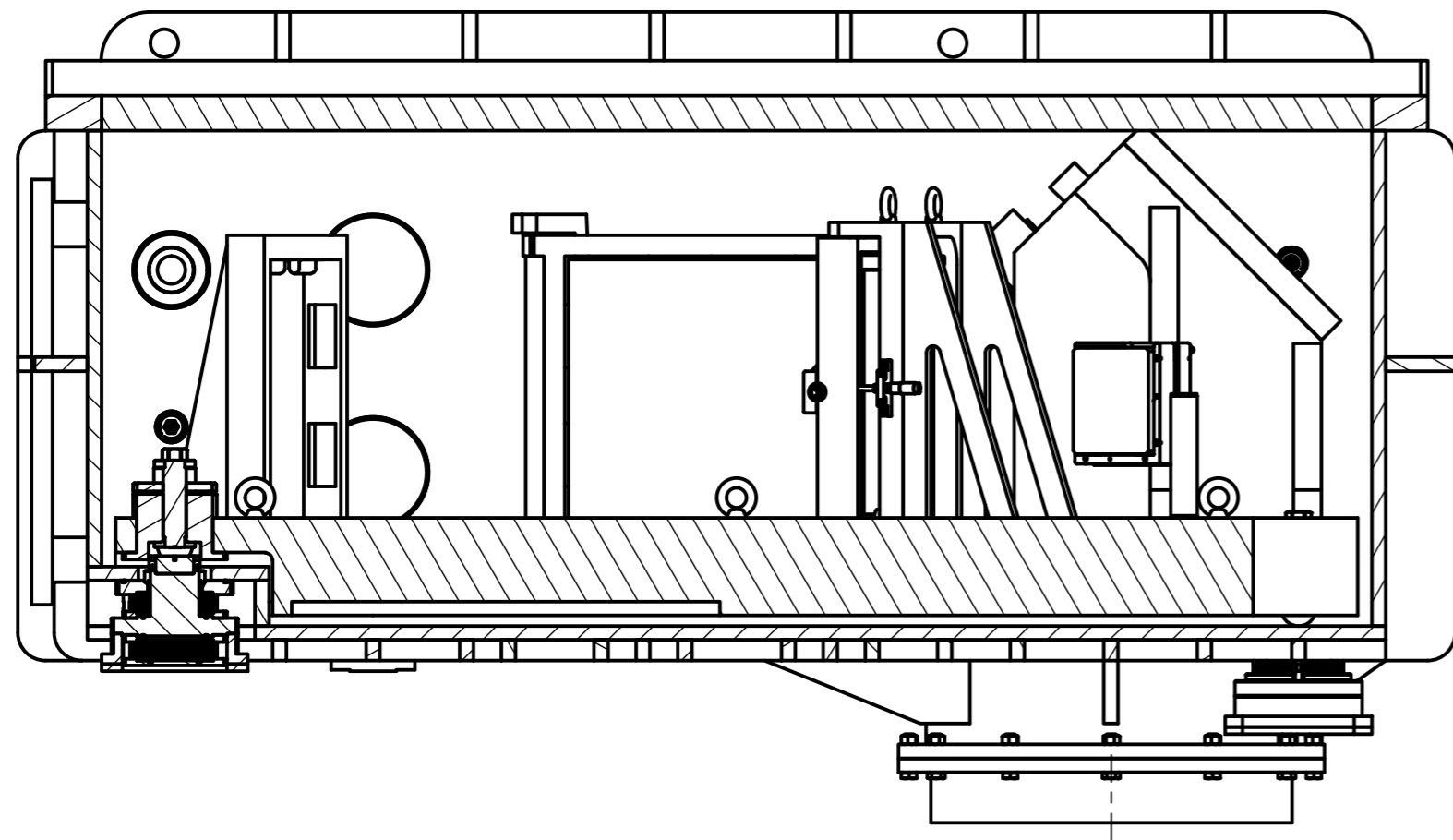


The information contained in this drawing is the sole property of FZU. Any reproduction is prohibited			
Drawn by: vaclav.orna	Projection:	Scale: 1:12	Sheet size: A2
Chkd by:		Dwg. title: CIS 1A	
Date: 16.6.2017		Dwg. no./TC ID: Rev.	
Material:		All dimensions in mm	
Raw mat.:		Tolerance: ISO2768-mK	
Weight: <i>Není k dispozici</i>	Note:	Eli no.: Sheets 2 of 2	

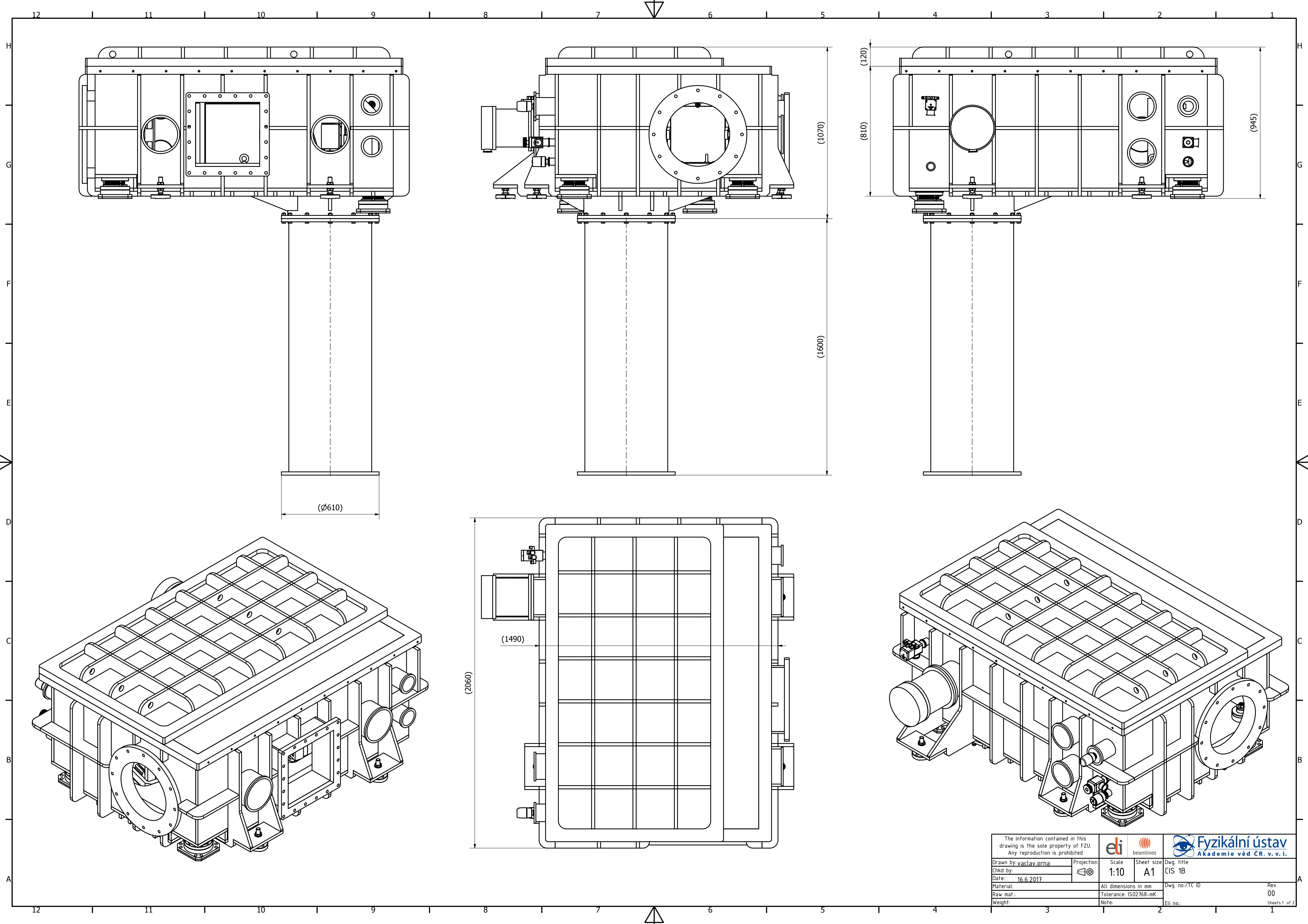


The information contained in this drawing is the sole property of FZU. Any reproduction is prohibited.					
Drawn by: vaclav.orna	Projection:	Scale: 1:12	Sheet size: A1	Dwg. title: CIS 1A	
Date: 16.6.2017		All dimensions in mm		Dwg. no./TC ID	
Material:		Tolerance: ISO2768-mK		Rev.	
Raw mat.:		Note:		Eli no.:	
Weight: <i>Není k dispozici</i>				Sheets 1 of 2	

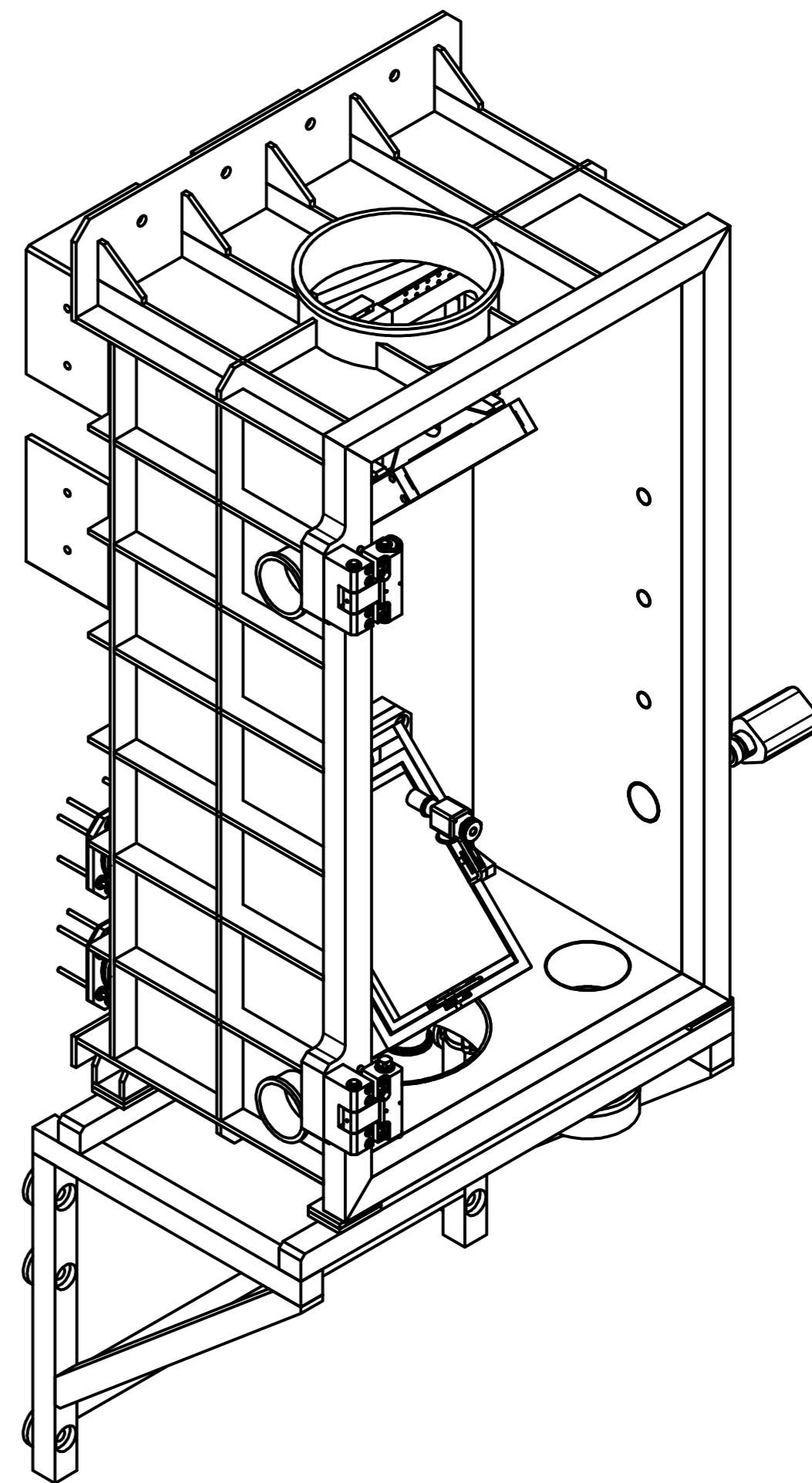
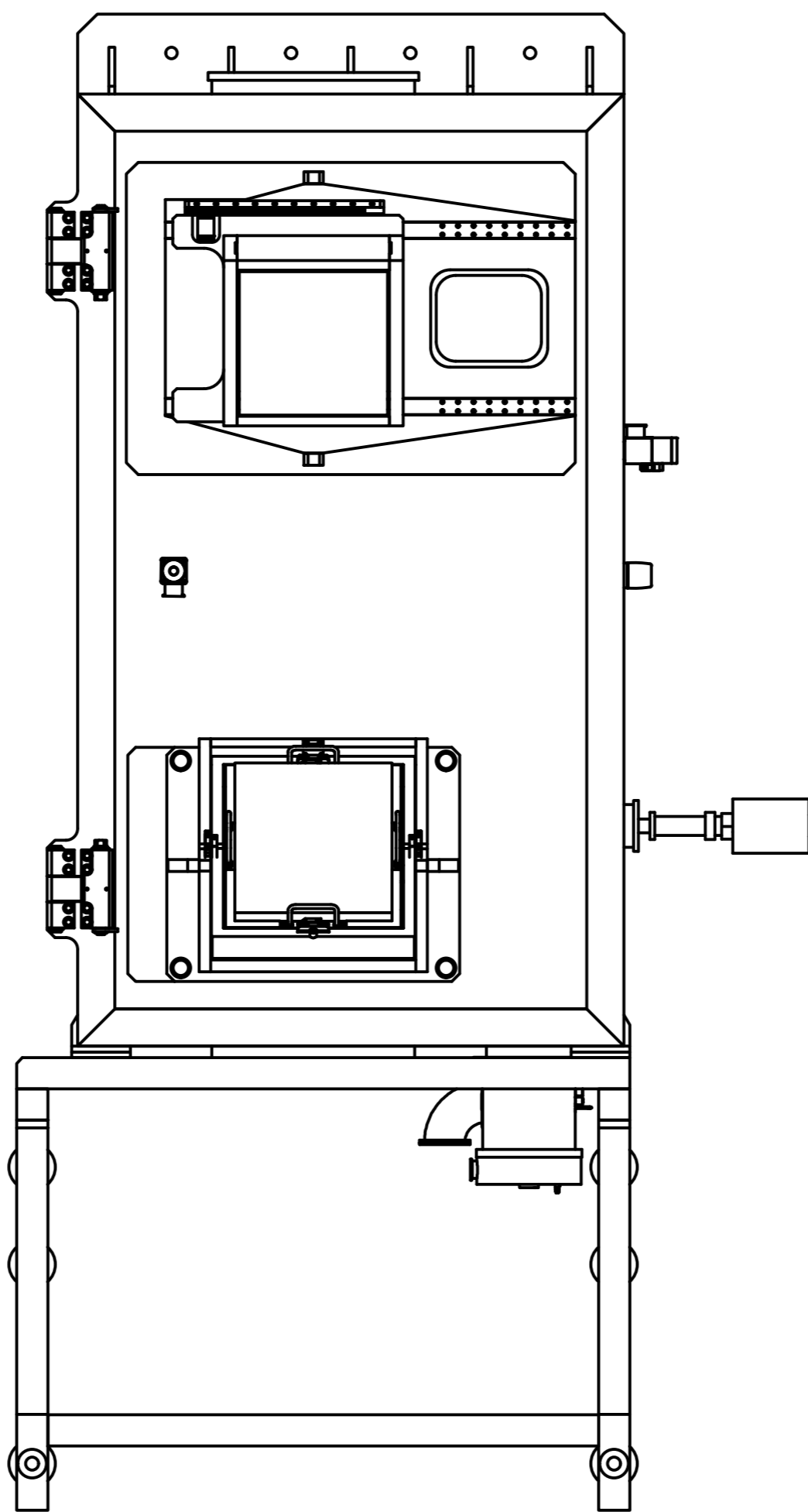
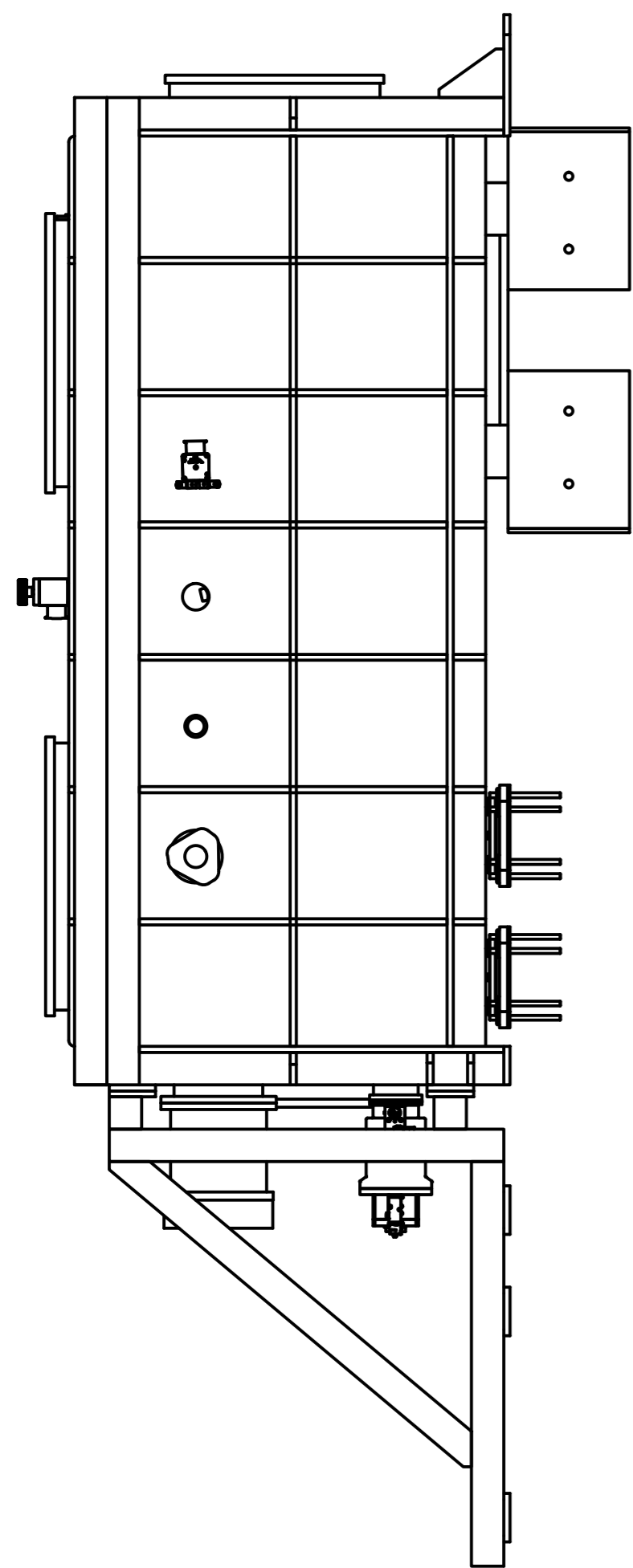
A-A (1:10)






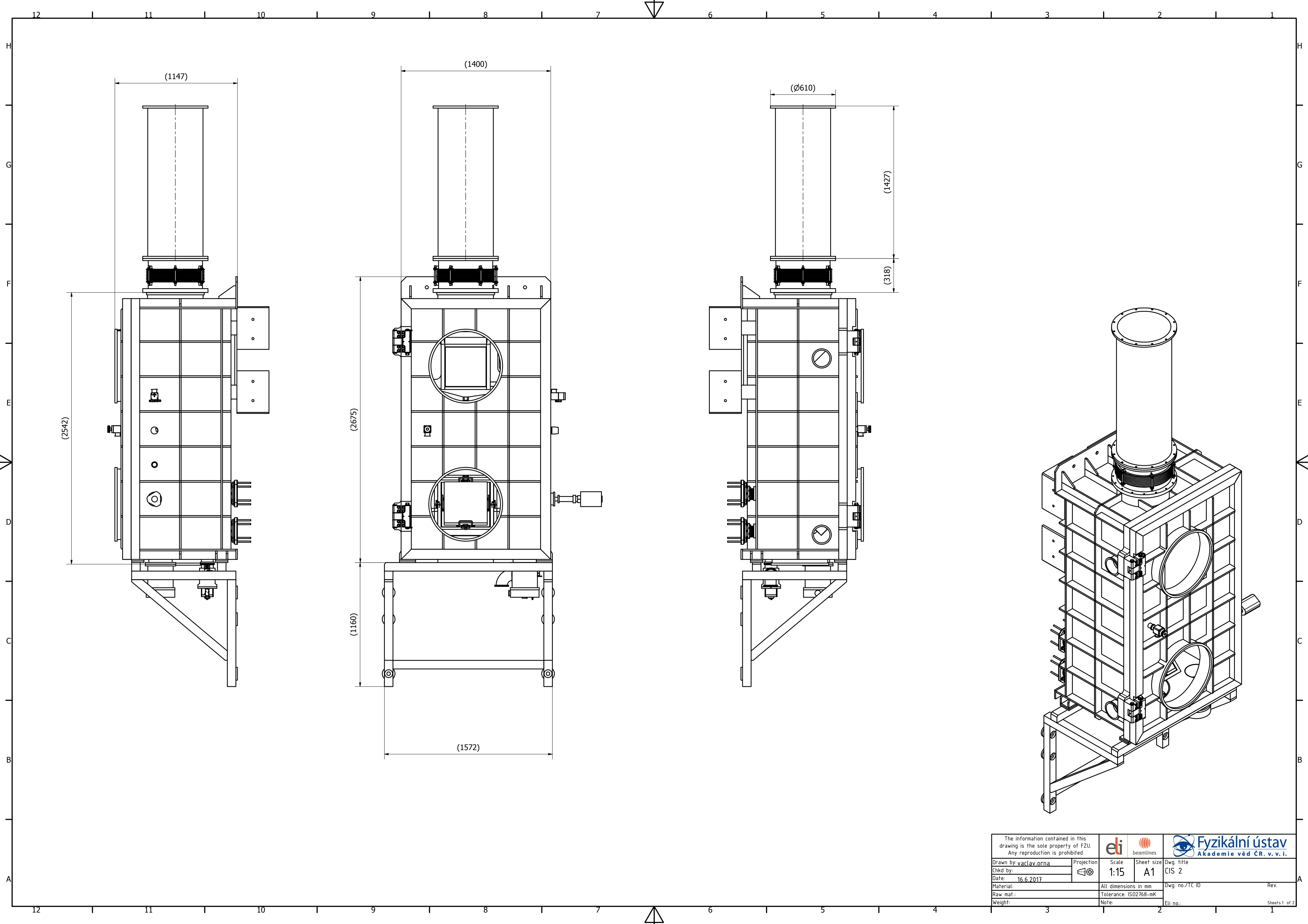
The information contained in this drawing is the sole property of FZU. Any reproduction is prohibited.			
Drawn by: <u>vaclav.orna</u>	Projection: 	Scale: 1:10	Sheet size: A2
Chkd by:	Date: 16.6.2017	Dwg. title: CIS 1B	
Material:	All dimensions in mm	Dwg. no./TC ID	
Raw mat.:	Tolerance: ISO2768-mK	Rev. 00	
Weight:	Note:	Eli no.:	Sheets 2 of 2



The information contained in this drawing is the sole property of FZU. Any reproduction is prohibited.							
Drawn by: vaclav.orna	Projection:	Scale: 1:10	Sheet size: A1	Dwg. title: CIS 1B			
Chkd by:	Date: 16.6.2017	All dimensions in mm		Dwg. no./TC ID			
Material:	Raw mat.:	Tolerance: ISO2768-mK		Rev. 00			
Weight:	Note:	Eli no.:		Sheets 1 of 2			



The information contained in this drawing is the sole property of FZU. Any reproduction is prohibited					
Drawn by: vaclav.orna	Projection	Scale	Sheet size	Dwg. title	
Chkd by:		1:15	A2	CIS 2	
Date: 16.6.2017	All dimensions in mm		Dwg. no./TC ID		Rev.
Material:	Tolerance: ISO2768-mK		Eli no.:		Sheets 2 of 2
Raw mat.:	Note:				
Weight:					



The information contained in this drawing is the sole property of FZU. Any reproduction is prohibited.					
Drawn by: vaclav.orna	Projection:	Scale: 1:15	Sheet size: A1	Dwg. title: CIS 2	
Chkd by:	Date: 16.6.2017	All dimensions in mm		Dwg. no./TC ID	
Material:		Tolerance: ISO2768-mK		Rev.	
Raw mat.:		Note:		Eli no.:	
Weight:				Sheets: 1 of 2	