





6

3

10.80

8.4

13.80

4.5

11

19.80

20.67

11

4.4

5.9

5.30

4.3

5.8

12

16.50

15.9

4.2

13

16.58

16.51

4.2

11

4

16.70

16.63

4

11

4.0

16.24

16.04

6.1

6.0

16.50

14.78

14.50

16

14.30

14.30

17

18

17.30

19

13.60

20

17.50

8.4

12.80

6.3

6.3

7.0

6.80

17.4

6.7

6.6

6.7

6.5

12.80

16.70

16.63

16.58

16.51

16.24

16.04

14.78

14.50

14.30

14.30

17.30

13.60

17.50

13.90

13.80

13.80

17.40

17.40

17.30

17.30

17.30

17.30

17.30

17.30

17.30

17.30

17.30

17.30

17.30

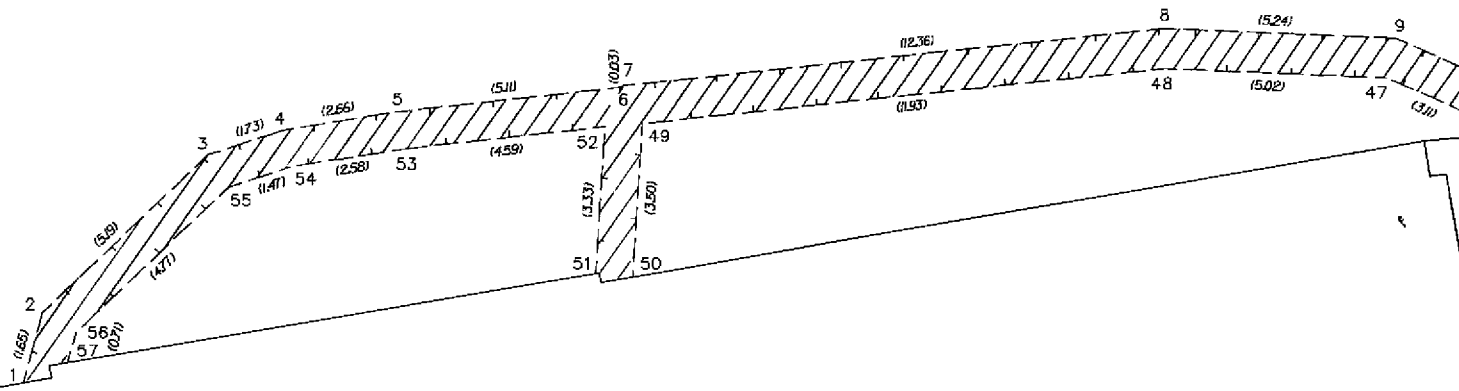
17.30

17.30

17.30

17.30

801/1



801/4

801/3

801/2

†  
+  
2

