

Příloha č. 1

Technická specifikace zařízení pro síť LoRaWAN

Gateway LoRaWAN:



- frekvenční pásmo 868MHz
- napájení PoE 48V
- odběr 15W max, 11W typ.
- vstupy: ethernet PoE, RF-N
- rozměry: 300x230x55 mm
- napájecí zdroj 230V/48V DC

LoRaWAN anténa:

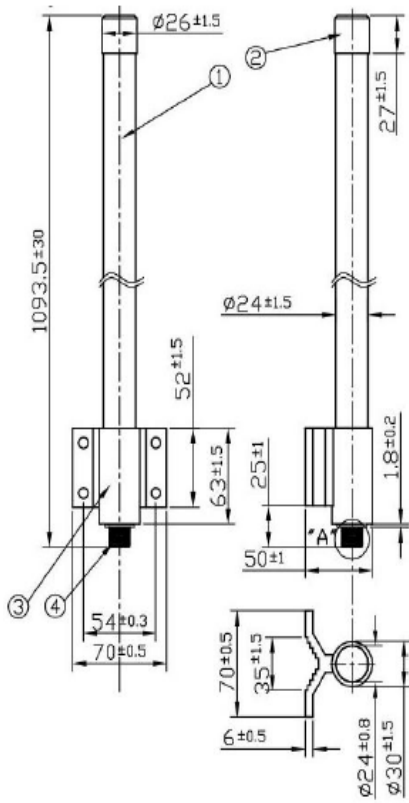


5dBi 868MHz ISM Band Indoor/Outdoor
Omni-Directional Antenna

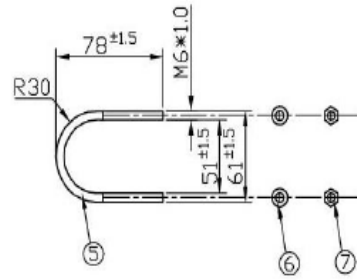


Specification

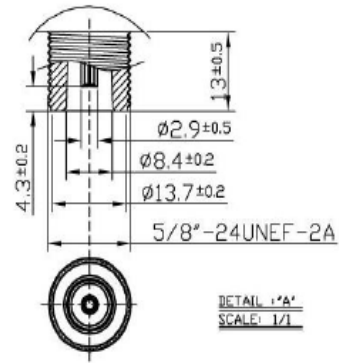
ELECTRICAL	
Standard	ISM 868
Band	860~870MHz
Antenna Type	Collinear
Gain(max)	5dBi
Polarization	Vertical
Impedance	50 ohms
Max Input Power	50 watts
VSWR	<1.5:1
Radiation	Omni-Directional
Vertical Beam-width	38 Deg
Horizontal Beam-width	360 Deg
Antenna Design	Dipole Array
Internal Material	Copper
Connector	N Type Female
MECHANICAL	
Length	1094mm(Max)
Base Diameter	70*55mm(Max)
Antenna Weight(G.W)	680g
Mounting Accessories(G.W)	70g
Application	Indoor/Outdoor
Radome Material	White Fiberglass
Base Material	Aluminum
Mount Style	Pole Mount/Wall Mount
Mounting	Stainless Steel
Wind Resistance	>150mph(>241km/h)
Housing	Fiberglass
ENVIRONMENTAL	
Storage Temperature	-20°C to +80°C
Operating Temperature	-20°C to +60°C
Operating Humidity	10%~80% non-condensing
Storage Humidity	5%~80% non-condensing



Bracket



N Type (F)



DETAIL 1:A
SCALE: 1/1