

CZDA - CZECH DEVELOPMENT AGENCY (CZECH REPUBLIC)

SPECIFIED DIMENSIONS ARE NOT BINDING AND NEED TO BE VERIFIED IN THE PLACE

PROJECT
RECONSTRUCTION

of the **KINDERGARTEN** complex

PLACE
MIKOLAJEVKA, LENIN STR. 51b

RAJON: KOZJATIN
REGION: VINNYTSJA

DRAWINGS
GROUND FLOOR

SCALE 1 :200

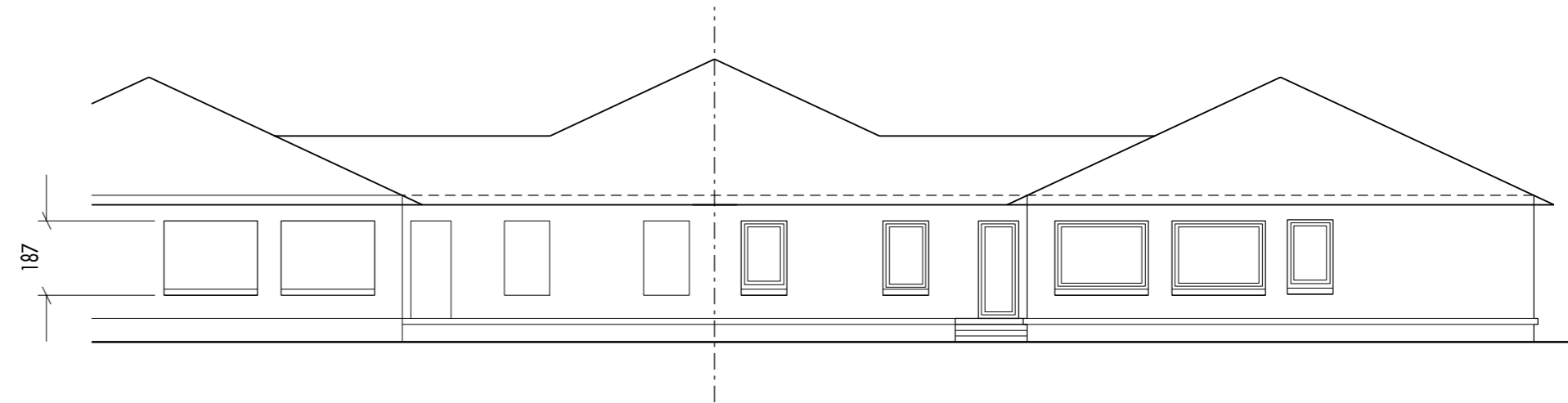
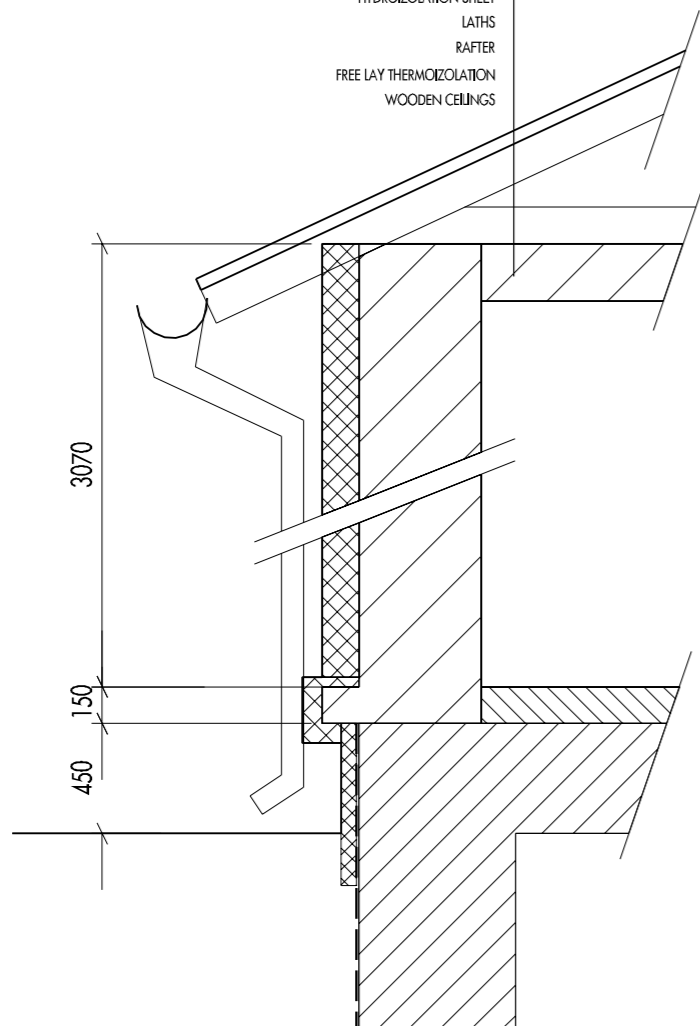
1

ING. ARCH. VÍT REJŠEK.

03 / 2016



STEEL SHEET
CONTRA LATHS
HYDROIZOLATION SHEET
LATHS
RAFTER
FREE LAY THERMOIZOLATION
WOODEN CEILINGS



CZDA - CZECH DEVELOPMENT AGENCY (CZECH REPUBLIC)

SPECIFIED DIMENSIONS ARE NOT BINDING AND NEED TO BE VERIFIED IN THE PLACE

PROJECT
RECONSTRUCTION
of the **KINDERGARTEN** komplex

PLACE
MIKOLAJEVKA, LENIN STR. 51b
RAJON: KOZJATIN
REGION: VINNYTSJA

DRAWINGS
FACADE
SCALE 1 :200

2