



SKYHAWK

SURVEILLANCE



3.5 HARD DRIVE DATA SHEET

Smart. Safe. Secure.
Seagate Surveillance-Specialized Storage



SkyHawk™ leverages Seagate's extensive experience in designing drives purpose-built for surveillance applications.



Best-Fit Applications

- Network video recorders (NVR)
- Embedded surveillance DVRs (SDVR)
- Hybrid surveillance DVRs
- Surveillance DVRs



SKYHAWK

HEALTH

Key Advantages

ImagePerfect™ firmware is designed to ensure seamless video footage capture in 24x7 surveillance workloads that record video from 64 HD cameras.

SkyHawk Health Management actively helps protect your surveillance storage by focusing on prevention, intervention and recovery options.²

NVR-ready design allows drives to maintain performance in multi-bay systems, giving customers the flexibility to scale their systems when more storage is needed.

ATA streaming support enables recordings from up to 64 HD cameras for smooth, uninterrupted footage.

Up to 10TB or over 2000 hours of HD video storage support an increased number of HD cameras and allows longer data retention periods.

1M hours MTBF, 3-year limited warranty³ represents an improved total cost of ownership (TCO) with reduced maintenance costs.

Lower power consumption means a reduction in heat emissions, which improves reliability in surveillance solutions. Tarnish-resistant components help protect drive from environmental elements, increasing field reliability.

¹ SkyHawk surveillance drives are designed for always-on, low transaction workloads (20% duty cycle) of 180TB/year. For higher transaction workloads, see Seagate's enterprise-class drive offerings.

² Contact your Seagate sales representative for further information.

³ SkyHawk surveillance drives are designed to operate under ambient operating temperatures of 0°C to 60°C and normal environments. Usage of drives in higher temperatures or other extreme environmental conditions will reduce useful life.



Specifications	10TB	8TB	6TB	4TB	3TB
Standard Model Numbers	ST10000VX0004	ST8000VX0022	ST6000VX0003, ST6000VX0023	ST4000VX007	ST3000VX010
SkyHawk™ Health Management Included ¹	Yes	Yes	Yes	Yes	—
Interface	SATA 6Gb/s	SATA 6Gb/s	SATA 6Gb/s	SATA 6Gb/s	SATA 6Gb/s
Features and Performance					
Drive Bays Supported	8+	8+	8+	8+	1 to 8
Cameras Supported	Up to 64	Up to 64	Up to 64	Up to 64	Up to 64
Max. Sustained Transfer Rate OD (MB/s)	210MB/s	210MB/s	195MB/s	190MB/s	180MB/s
Cache (MB)	256	256	256	64	64
Reliability/Data Integrity					
Tarnish Resistant	Yes	Yes	Yes	Yes	No
Load/Unload Cycles	300,000	300,000	300,000	300,000	300,000
Nonrecoverable Read Errors per Bits Read, Max	1 per 10E15	1 per 10E15	1 per 10E15	1 per 10E14	1 per 10E14
Power-On Hours per Year (24x7)	8760	8760	8760	8760	8760
Workload Rate Limit (WRL) ²	180	180	180	180	180
MTBF	1,000,000hr	1,000,000hr	1,000,000hr	1,000,000hr	1,000,000hr
Warranty, Limited (years) ³	3	3	3	3	3
Power Management					
Startup Current, Typical (12V, A)	1.8	2	2	1.8	1.8
Average Operating Power (W)	6.8W	9W	9W	5.5W	5.6W
Idle Average (W)	4W	8W	7W	3W	4W
Standby Mode/Sleep Mode, Typical (W)	0.8/0.8	0.6/0.6	0.6/0.6	0.25/0.25	0.5/0.5
Voltage Tolerance (5V)	±5%	±5%	±5%	±5%	±5%
Voltage Tolerance (12V)	±10%	±10%	±10%	±10%	±10%
Environmental/Temperature					
Operating (ambient, min °C)	5	5	5	0	0
Operating (drive case, max °C) ⁴	70	70	70	70	70
Nonoperating (ambient, min °C)	-40	-40	-40	-40	-40
Physical					
Height (mm/in, max)	26.11mm/1.028in	26.11mm/1.028in	26.11mm/1.028in	26.11mm/1.028in	26.11mm/1.028in
Width (mm/in, max)	101.85mm/4.01in	101.85mm/4.01in	101.85mm/4.01in	101.85mm/4.01in	101.85mm/4.01in
Depth (mm/in, max)	146.99mm/5.787in	146.99mm/5.787in	146.99mm/5.787in	146.99mm/5.787in	146.99mm/5.787in
Weight (g/lb)	650g/1.433lb	780g/1.72lb	705g/1.55lb	635g/1.40lb	610g/1.35lb
Carton Unit Quantity	20	20	20	20	20
Cartons per Pallet/Cartons per Layer	40/8	40/8	40/8	40/8	40/8

1 10TB model available in early CY2018.

2 SkyHawk surveillance drives are designed for always-on workloads of 180TB/year. For higher transaction workloads, see Seagate's enterprise-class drive offerings.

3 Extended warranty options available. Consult your distributor for details.

4 Seagate does not recommend operating at sustained extreme temperatures. Operating at higher temperatures will reduce useful life of the products.



Specifications	2TB	1TB
Standard Model Numbers	ST2000VX008	ST1000VX005
SkyHawk™ Health Management Included ¹	—	—
Interface	SATA 6Gb/s	SATA 6Gb/s
Features and Performance		
Drive Bays Supported	1 to 8	1 to 8
Cameras Supported	Up to 64	Up to 64
Max. Sustained Transfer Rate OD (MB/s)	180MB/s	180MB/s
Cache (MB)	64	64
Reliability/Data Integrity		
Tarnish Resistant	No	No
Load/Unload Cycles	300,000	—
Nonrecoverable Read Errors per Bits Read, Max	1 per 10E14	1 per 10E14
Power-On Hours per Year (24x7)	8760	8760
Workload Rate Limit (WRL) ²	180	180
MTBF	1,000,000hr	1,000,000hr
Warranty, Limited (years) ³	3	3
Power Management		
Startup Current, Typical (12V, A)	1.8	1.8
Average Operating Power (W)	5.6W	5.6W
Idle Average (W)	4W	4W
Standby Mode/Sleep Mode, Typical (W)	0.5/0.5	0.5/0.5
Voltage Tolerance (5V)	±5%	±5%
Voltage Tolerance (12V)	±10%	±10%
Environmental/Temperature		
Operating (ambient, min °C)	0	0
Operating (drive case, max °C) ⁴	70	70
Nonoperating (ambient, min °C)	-40	-40
Physical		
Height (mm/in, max)	26.11mm/1.028in	20.20mm/0.795in
Width (mm/in, max)	101.85mm/4.01in	101.85mm/4.01in
Depth (mm/in, max)	146.99mm/5.787in	146.99mm/5.787in
Weight (g/lb)	610g/1.35lb	415g/0.915lb
Carton Unit Quantity	20	25
Cartons per Pallet/Cartons per Layer	40/8	40/8

¹ 10TB model available in early CY2018.

² SkyHawk surveillance drives are designed for always-on workloads of 180TB/year. For higher transaction workloads, see Seagate's enterprise-class drive offerings.

³ Extended warranty options available. Consult your distributor for details.

⁴ Seagate does not recommend operating at sustained extreme temperatures. Operating at higher temperatures will reduce useful life of the products.

AMERICAS Seagate Technology LLC 10200 South De Anza Boulevard, Cupertino, California 95014, United States, 408-658-1000
ASIA/PACIFIC Seagate Singapore International Headquarters Pte. Ltd. 7000 Ang Mo Kio Avenue 5, Singapore 569877, 65-6485-3888
EUROPE, MIDDLE EAST AND AFRICA Seagate Technology SAS 16-18, rue du Dôme, 92100 Boulogne-Billancourt, France, 33 1-4186 10 00

© 2017 Seagate Technology LLC. All rights reserved. Seagate, Seagate Technology and the Spiral logo are registered trademarks of Seagate Technology LLC in the United States and/or other countries. ImagePerfect, SkyHawk and the SkyHawk logo are either trademarks or registered trademarks of Seagate Technology LLC or one of its affiliated companies in the United States and/or other countries. All other trademarks or registered trademarks are the property of their respective owners. When referring to drive capacity, one gigabyte, or GB, equals one billion bytes and one terabyte, or TB, equals one trillion bytes. Your computer's operating system may use a different standard of measurement and report a lower capacity. In addition, some of the listed capacity is used for formatting and other functions, and thus will not be available for data storage. Quantitative usage examples for various applications are for illustrative purposes. Actual quantities will vary based on various factors, including file size, file format, features and application software. Actual data rates may vary depending on operating environment and other factors, such as chosen interface and disk capacity. Seagate reserves the right to change, without notice, product offerings or specifications. DS1902.6-1710US October 2017

DS-2CD2T43G2-2I/4I 4 MP AcuSense Fixed Bullet Network Camera

AcuSense



Empowered by deep learning algorithms, Hikvision AcuSense technology brings human and vehicle targets classification alarms to front- and back-end devices. The system focuses on human and vehicle targets, vastly improving alarm efficiency and effectiveness.

- High quality imaging with 4 MP resolution
- Clear imaging against strong backlight due to 120 dB WDR technology
- Efficient H.265+ compression technology
- Water and dust resistant (IP67)
- Focus on human and vehicle targets classification based on deep learning



▪ Specification

Camera	
Image Sensor	1/3" Progressive Scan CMOS
Max. Resolution	2688 × 1520
Min. Illumination	Color: 0.005 Lux @ (F1.6, AGC ON), 0 Lux with IR on
Shutter Time	1/3 s to 1/100,000 s
Day & Night	ICR Cut
Angle Adjustment	Pan: 0° to 360°, tilt: 0° to 90°, rotate: 0° to 360°
Lens	
Lens Type	Fixed focal lens, 2.8, 4, and 6 mm optional
Focal Length & FOV	2.8 mm, horizontal FOV 103°, vertical FOV 55°, diagonal FOV 122° 4 mm, horizontal FOV 84°, vertical FOV 45°, diagonal FOV 100° 6 mm, horizontal FOV 52°, vertical FOV 28°, diagonal FOV 61°
Lens Mount	M12
Iris Type	Fixed
Aperture	F1.6
DORI	
DORI	2.8 mm: D: 67 m, O: 26 m, R: 13 m, I: 6 m 4 mm: D: 80 m, O: 31 m, R: 16 m, I: 8 m 6 mm: D: 120 m, O: 47 m, R: 24 m, I: 12 m
Illuminator	
Supplement Light Type	IR
Supplement Light Range	-2I: up to 60 m -4I: up to 80 m
Smart Supplement Light	Yes
IR Wavelength	850 nm
Video	
Main Stream	50 Hz: 25 fps (2688 × 1520, 1920 × 1080, 1280 × 720) 60 Hz: 30 fps (2688 × 1520, 1920 × 1080, 1280 × 720)
Sub-Stream	50 Hz: 25 fps (640 × 480, 640 × 360) 60 Hz: 30 fps (640 × 480, 640 × 360)
Third Stream	50 Hz: 10 fps (1920 × 1080, 1280 × 720, 640 × 480, 640 × 360) 60 Hz: 10 fps (1920 × 1080, 1280 × 720, 640 × 480, 640 × 360)
Video Compression	Main stream: H.265/H.264/H.264+/H.265+ Sub-stream: H.265/H.264/MJPEG Third stream: H.265/H.264
Video Bit Rate	32 Kbps to 8 Mbps
H.264 Type	Baseline Profile/Main Profile/High Profile
H.265 Type	Main Profile
Bit Rate Control	CBR/VBR
Scalable Video Coding (SVC)	Yes
Region of Interest (ROI)	1 fixed region for main stream and sub-stream
Network	
Protocols	TCP/IP, ICMP, HTTP, HTTPS, FTP, DHCP, DNS, DDNS, RTP, RTSP, NTP, UPnP, SMTP, IGMP, 802.1X, QoS, IPv6, UDP, Bonjour, SSL/TLS, PPPoE, WebSocket, WebSockets

Simultaneous Live View	Up to 6 channels
API	Open Network Video Interface (Profile S, Profile G), ISAPI, SDK
User/Host	Up to 32 users. 3 user levels: administrator, operator and user
Security	Password protection, complicated password, HTTPS encryption, IP address filter, Security Audit Log, basic and digest authentication for HTTP/HTTPS, TLS 1.1/1.2, WSSE and digest authentication for Open Network Video Interface
Network Storage	MicroSD/SDHC/SDXC card (256 GB) local storage, and NAS(NFS, SMB/CIFS), auto network replenishment (ANR)
Client	iVMS-4200, Hik-Connect, Hik-Central
Web Browser	Plug-in required live view: IE 10, IE 11 Plug-in free live view : Chrome 57.0+, Firefox 52.0+ Local service: Chrome 57.0+, Firefox 52.0+
Image	
Image Parameters Switch	Yes
Image Settings	Rotate, mirror, privacy mask, saturation, brightness, contrast, sharpness, gain, white balance adjustable by client software or web browser
Day/Night Switch	Day, Night, Auto, Schedule
Wide Dynamic Range (WDR)	120 dB
SNR	≥ 52 dB
Image Enhancement	BLC, HLC, 3D DNR
Interface	
Ethernet Interface	1 RJ45 10M/100M self-adaptive Ethernet port
On-Board Storage	Built-in micro SD, up to 256 GB
Reset Key	Yes
Event	
Basic Event	Motion detection (human and vehicle targets classification), video tampering alarm, exception
Smart Event	Line crossing detection, intrusion detection Supports human and vehicle targets classification Face detection
Linkage	Upload to FTP/memory card/NAS, notify surveillance center, trigger recording, trigger capture, send email
General	
Power	-2I: 12 VDC ± 25%, 0.71 A, max. 8.5 W, Ø5.5 mm coaxial power plug, reverse polarity protection PoE: 802.3af, 36 V to 57 V, 0.27 A to 0.17 A, max. 9.5 W -4I: 12 VDC ± 25%, 1.0 A, max. 11.5 W, Ø5.5 mm coaxial power plug, reverse polarity protection PoE: 802.3af, Class 3, 36 V to 57 V, 0.35 A to 0.22 A, max. 12.5 W
Material	Aluminum alloy body Sun shield, IR cover: plastic
Dimension	Ø105 × 299.7 mm (Ø4.1" × 11.8")
Package Dimension	386 × 156 × 155 mm (15.2" × 6.2" × 6.2")
Weight	Approx. 1070 g (2.4 lb.)

With Package Weight	Approx. 1589 g (3.5 lb.)
Storage Conditions	-30 °C to 60 °C (-22 °F to 140 °F). Humidity 95% or less (non-condensing)
Startup and Operating Conditions	-30 °C to 60 °C (-22 °F to 140 °F). Humidity 95% or less (non-condensing)
Language	33 languages English, Russian, Estonian, Bulgarian, Hungarian, Greek, German, Italian, Czech, Slovak, French, Polish, Dutch, Portuguese, Spanish, Romanian, Danish, Swedish, Norwegian, Finnish, Croatian, Slovenian, Serbian, Turkish, Korean, Traditional Chinese, Thai, Vietnamese, Japanese, Latvian, Lithuanian, Portuguese (Brazil), Ukrainian
General Function	Anti-flicker, heartbeat, password reset via e-mail, pixel counter
Approval	
EMC	FCC (47 CFR Part 15, Subpart B); CE-EMC (EN 55032: 2015, EN 61000-3-2: 2014, EN 61000-3-3: 2013, EN 50130-4: 2011 +A1: 2014); RCM (AS/NZS CISPR 32: 2015); IC (ICES-003: Issue 6, 2016); KC (KN 32: 2015, KN 35: 2015)
Safety	UL (UL 60950-1); CB (IEC 60950-1:2005 + Am 1:2009 + Am 2:2013); CE-LVD (EN 60950-1:2005 + Am 1:2009 + Am 2:2013); BIS (IS 13252(Part 1):2010+A1:2013+A2:2015); LOA (IEC/EN 60950-1)
Environment	CE-RoHS (2011/65/EU); WEEE (2012/19/EU); Reach (Regulation (EC) No 1907/2006)
Protection	IP67 (IEC 60529-2013)

▪ Available Model

DS-2CD2T43G2-2I (2.8/4/6 mm)

DS-2CD2T43G2-4I (2.8/4/6 mm)

DS-2CD2T43G2-2I (2.8/4/6 mm) (Black)

DS-2CD2T43G2-4I (2.8/4/6 mm) (Black)

▪ Typical Application

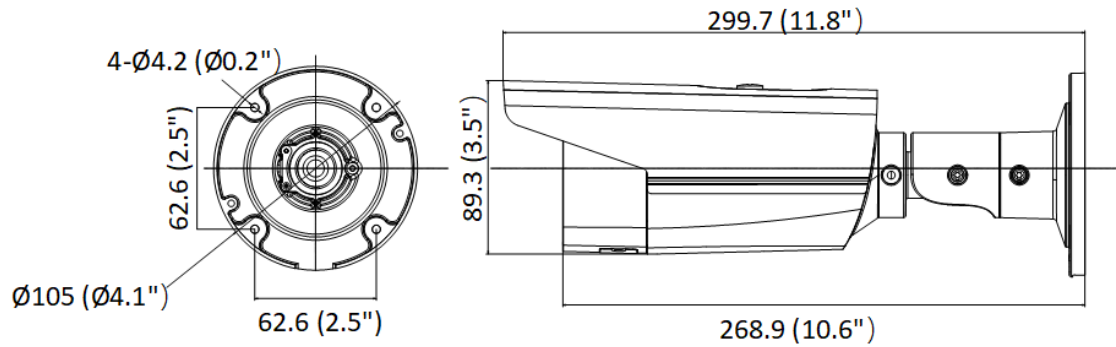
Hikvision products are classified into three levels according to their anti-corrosion performance. Refer to the following description to choose for your using environment.

This model has NO SPECIFIC PROTECTION.

Level	Description
Top-level protection	Hikvision products at this level are equipped for use in areas where professional anti-corrosion protection is a must. Typical application scenarios include coastlines, docks, chemical plants, and more.
Moderate protection	Hikvision products at this level are equipped for use in areas with moderate anti-corrosion

	demands. Typical application scenarios include coastal areas about 2 kilometers (1.24 miles) away from coastlines, as well as areas affected by acid rain.
No specific protection	Hikvision products at this level are equipped for use in areas where no specific anti-corrosion protection is needed.

▪ **Dimension**



Unit: mm (inch)

▪ **Accessory**

▪ **Optional**

DS-1276ZJ-SUS Corner Mount	DS-1280ZJ-S Junction Box	DS-1275ZJ-S-SUS Vertical pole mount	DS-1275ZJ-SUS Vertical Pole Mount	DS-1260ZJ Junction Box
				

Distributed by

**HIKVISION®****Headquarters**

No.555 Qianmo Road, Binjiang District,
Hangzhou 310051, China
T +86-571-8807-5998
overseasbusiness@hikvision.com

Hikvision USA
T +1-909-895-0400
sales.usa@hikvision.com

Hikvision Australia
T +61-2-8599-4233
salesau@hikvision.com

Hikvision India
T +91-22-28469900
sales@pramahikvision.com

Hikvision Canada
T +1-866-200-6690
sales.canada@hikvision.com

Hikvision Thailand
T +662-275-9949
sales.thailand@hikvision.com

Hikvision Europe
T +31-23-5542770
sales.eu@hikvision.com

Hikvision Italy
T +39-0438-6902
info.it@hikvision.com

Hikvision Brazil
T +55 11 3318-0050
Latam.support@hikvision.com

Hikvision Turkey
T +90 (216)521 7070- 7074
sales.tr@hikvision.com

Hikvision Malaysia
T +601-7652-2413
sales.my@hikvision.com

Hikvision UK & Ireland
T +01628-902140
sales.uk@hikvision.com

Hikvision South Africa
Tel: +27 (10) 0351172
sale.africa@hikvision.com

Hikvision France
T +33(0)1-85-330-450
info.fr@hikvision.com

Hikvision Kazakhstan
T +7-727-9730667
nikia.panfilov@hikvision.ru

Hikvision Vietnam
T +84-974270888
sales.vt@hikvision.com

Hikvision UAE
T +971-4-4432090
salesme@hikvision.com

Hikvision Singapore
T +65-6684-4718
sg@hikvision.com

Hikvision Spain
T +34-91-737-16-55
info.es@hikvision.com

Hikvision Tashkent
T +99-87-1238-9438
uzb@hikvision.ru

Hikvision Hong Kong
T +852-2151-1761
info.hk@hikvision.com

Hikvision Russia
T +7-495-669-67-99
saleru@hikvision.com

Hikvision Korea
T +82-(0)31-731-8817
sales.korea@hikvision.com

Hikvision Poland
T +48-22-460-01-50
info.pl@hikvision.com

Hikvision Indonesia
T +62-21-2933759
Sales.Indonesia@hikvision.com

Hikvision Colombia
sales.colombia@hikvision.com

DS-2CD2143G2-I(S) 4 MP AcuSense Fixed Dome Network Camera

AcuSense



Empowered by deep learning algorithms, Hikvision AcuSense technology brings human and vehicle targets classification alarms to front- and back-end devices. The system focuses on human and vehicle targets, vastly improving alarm efficiency and effectiveness.

- High quality imaging with 4 MP resolution
- Clear imaging against strong backlight due to 120 dB WDR technology
- Efficient H.265+ compression technology
- Water and dust resistant (IP67) and vandal resistant (IK10)
- Focus on human and vehicle targets classification based on deep learning



▪ Specification

Camera	
Image Sensor	1/3" Progressive Scan CMOS
Min. Illumination	Color: 0.005 Lux @ (F1.6, AGC ON), 0 Lux with IR on
Shutter Speed	1/3 s to 1/100,000 s
Slow Shutter	Yes
P/N	P/N
Wide Dynamic Range	120 dB
Day & Night	ICR Cut
Angle Adjustment	Pan: 0° to 355°, tilt: 0° to 75°, rotate: 0° to 355°
Lens	
Lens Type & FOV	2.8 mm, horizontal FOV 103°, vertical FOV 55°, diagonal FOV 122° 4 mm, horizontal FOV 84°, vertical FOV 45°, diagonal FOV 100°
Aperture	F1.6
Lens Mount	M12
DORI	
DORI	2.8 mm: D: 67 m, O: 26 m, R: 13 m, I: 6 m 4 mm: D: 80 m, O: 31 m, R: 16 m, I: 8 m
Illuminator	
IR Range	Up to 30 m
IR Wavelength	850 nm
Video	
Max. Resolution	2688 × 1520
Main Stream	50 Hz: 25 fps (2688 × 1520, 1920 × 1080, 1280 × 720) 60 Hz: 30 fps (2688 × 1520, 1920 × 1080, 1280 × 720)
Sub-Stream	50 Hz: 25 fps (640 × 480, 640 × 360) 60 Hz: 30 fps (640 × 480, 640 × 360)
Third Stream	50 Hz: 10 fps (1920 × 1080, 1280 × 720, 640 × 480, 640 × 360) 60 Hz: 10 fps (1920 × 1080, 1280 × 720, 640 × 480, 640 × 360)
Video Compression	Main stream: H.265/H.264/H.264+/H.265+ Sub-stream: H.265/H.264/MJPEG Third stream: H.265/H.264
Video Bit Rate	32 Kbps to 8 Mbps
H.264 Type	Baseline Profile/Main Profile/High Profile
H.265 Type	Main Profile
H.264+	Main Stream supports
H.265+	Main Stream supports
Bit Rate Control	CBR/VBR
Scalable Video Coding (SVC)	Yes
Region of Interest (ROI)	1 fixed region for main stream and sub-stream
Audio	
Environment Noise Filtering	-S: Yes
Audio Sampling Rate	-S: 8 kHz/16 kHz/32 kHz/44.1 kHz/48 kHz
Audio Compression	-S: G.711ulaw/G.711alaw/G.722.1/G.726/MP2L2/PCM/MP3/AAC

Audio Bit Rate	-S: 64Kbps(G.711ulaw/G.711alaw)/16Kbps(G.722.1)/16Kbps(G.726)/16Kbps-64Kbps(AAC)/32-192Kbps(MP2L2)/8-320Kbps(MP3)
Network	
Simultaneous Live View	Up to 6 channels
API	Open Network Video Interface (Profile S, Profile G), ISAPI, SDK
Protocols	TCP/IP, ICMP, HTTP, HTTPS, FTP, DHCP, DNS, DDNS, RTP, RTSP, NTP, UPnP, SMTP, IGMP, 802.1X, QoS, IPv6, UDP, Bonjour, SSL/TLS, PPPoE, WebSocket, WebSockets
User/Host	Up to 32 users. 3 user levels: administrator, operator and user
Security	Password protection, complicated password, HTTPS encryption, IP address filter, Security Audit Log, basic and digest authentication for HTTP/HTTPS, TLS 1.1/1.2, WSSE and digest authentication for Open Network Video Interface
Network Storage	MicroSD/SDHC/SDXC card (256 GB) local storage, and NAS(NFS, SMB/CIFS), auto network replenishment (ANR)
Client	iVMS-4200, Hik-Connect, Hik-Central
Web Browser	Plug-in required live view: IE 10, IE 11 Plug-in free live view : Chrome 57.0+, Firefox 52.0+ Local service: Chrome 57.0+, Firefox 52.0+
Image	
Day/Night Switch	Day, Night, Auto, Schedule
Image Enhancement	BLC, HLC, 3D DNR
Image Parameters Switch	Yes
Image Settings	Rotate, mirror, privacy mask, saturation, brightness, contrast, sharpness, gain, white balance adjustable by client software or web browser
Interface	
Audio	-S: 1 input (line in), two-core terminal block , max. input amplitude: 3.3 vpp, input impedance: 4.7 K Ω , interface type: non-equilibrium; 1 output (line out), two-core terminal block , max.output amplitude: 3.3 vpp, output impedance: 100 Ω , interface type: non-equilibrium, mono sound
Alarm	-S: 1 input, 1 output (max. 12 VDC, 30 mA)
On-Board Storage	Built-in micro SD, up to 256 GB
Reset Key	Yes
Ethernet Interface	1 RJ45 10M/100M self-adaptive Ethernet port
Event	
Basic Event	Motion detection (human and vehicle targets classification), video tampering alarm, exception
Face Detection	Yes
Deep Learning Function	
Perimeter Protection	Line crossing detection, intrusion detection Supports human and vehicle targets classification
General	
Linkage Method	Upload to FTP/memory card/NAS, notify surveillance center, trigger record, trigger capture, Email

Language	33 languages English, Russian, Estonian, Bulgarian, Hungarian, Greek, German, Italian, Czech, Slovak, French, Polish, Dutch, Portuguese, Spanish, Romanian, Danish, Swedish, Norwegian, Finnish, Croatian, Slovenian, Serbian, Turkish, Korean, Traditional Chinese, Thai, Vietnamese, Japanese, Latvian, Lithuanian, Portuguese (Brazil), Ukrainian
General Function	Anti-flicker, heartbeat, password reset via e-mail, pixel counter
Storage Conditions	-30 °C to 60 °C (-22 °F to 140 °F). Humidity 95% or less (non-condensing)
Startup and Operating Conditions	-30 °C to 60 °C (-22 °F to 140 °F). Humidity 95% or less (non-condensing)
Power Supply	12 VDC ± 25%, reverse polarity protection PoE: 802.3af, Class 3
Power Consumption and Current	12 VDC, 0.4 A, max. 5 W PoE (802.3af, 36 V to 57 V), 0.2 A to 0.15 A, max. 6.5 W
Power Interface	Ø5.5 mm coaxial power plug
Material	Aluminum alloy body Bubble: plastic
Screw Material	SUS304
Dimension	Ø110.8 × 84.7 mm (Ø4.4" × 3.3")
Package Dimension	134 × 134 × 108 mm (5.3" × 5.3" × 4.3")
Weight	Approx. 530 g (1.2 lb.)
With Package Weight	Approx. 720 g (1.6 lb.)
Approval	
EMC	FCC (47 CFR Part 15, Subpart B); CE-EMC (EN 55032: 2015, EN 61000-3-2: 2014, EN 61000-3-3: 2013, EN 50130-4: 2011 +A1: 2014); RCM (AS/NZS CISPR 32: 2015); IC (ICES-003: Issue 6, 2016); KC (KN 32: 2015, KN 35: 2015)
Safety	UL (UL 60950-1); CB (IEC 60950-1:2005 + Am 1:2009 + Am 2:2013); CE-LVD (EN 60950-1:2005 + Am 1:2009 + Am 2:2013); BIS (IS 13252(Part 1):2010+A1:2013+A2:2015)
Environment	CE-RoHS (2011/65/EU); WEEE (2012/19/EU); Reach (Regulation (EC) No 1907/2006)
Protection	IP67 (IEC 60529-2013), IK10 (IEC 62262: 2002)

▪ Available Model

DS-2CD2143G2-I (2.8/4 mm)

DS-2CD2143G2-IS(2.8/4 mm)

▪ Typical Application

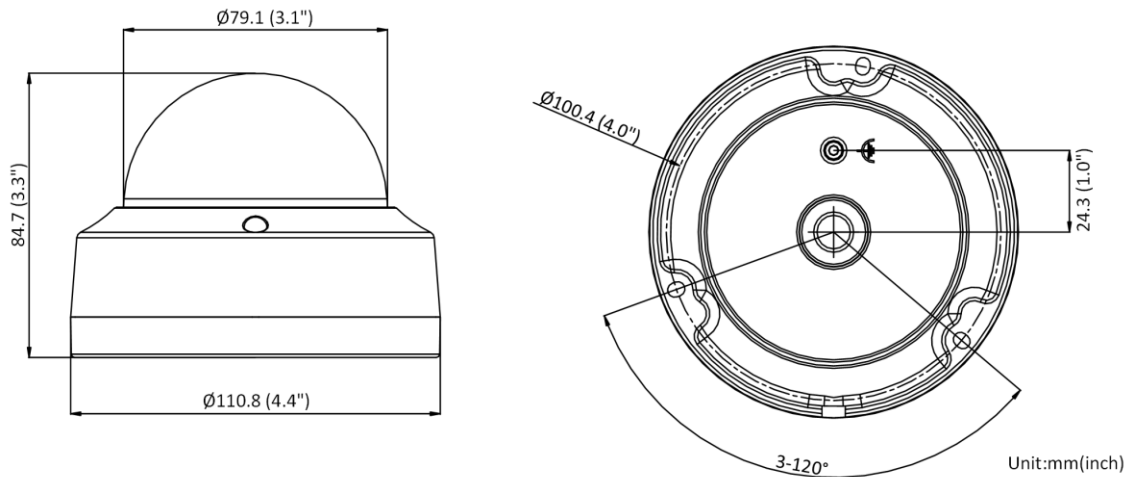
Hikvision products are classified into three levels according to their anti-corrosion performance. Refer to the following description to choose for your using environment.

This model has NO SPECIFIC PROTECTION.

Level	Description
Top-level protection	Hikvision products at this level are equipped for use in areas where professional anti-corrosion protection is a must. Typical application scenarios include coastlines, docks, chemical plants, and more.

Moderate protection	Hikvision products at this level are equipped for use in areas with moderate anti-corrosion demands. Typical application scenarios include coastal areas about 2 kilometers (1.24 miles) away from coastlines, as well as areas affected by acid rain.
No specific protection	Hikvision products at this level are equipped for use in areas where no specific anti-corrosion protection is needed.

Dimension



Accessory

Optional

DS-1280ZJ-DM18 Junction Box	DS-1250ZJ Rain Shade	DS-1259ZJ Inclined Ceiling Mount	DS-1272ZJ-110 Wall Mount	DS-1272ZJ-110B Wall Mount
				
DS-1276ZJ-SUS Corner Mount	DS-1258ZJ Wall Mount	DS-1275ZJ-SUS Vertical Pole Mount	DS-1271ZJ-110 Pendant Mount	
				

Distributed by

**HIKVISION®****Headquarters**

No.555 Qianmo Road, Binjiang District,
Hangzhou 310051, China
T +86-571-8807-5998
overseasbusiness@hikvision.com

Hikvision USA
T +1-909-895-0400
sales.usa@hikvision.com

Hikvision Australia
T +61-2-8599-4233
salesau@hikvision.com

Hikvision India
T +91-22-28469900
sales@pramahikvision.com

Hikvision Canada
T +1-866-200-6690
sales.canada@hikvision.com

Hikvision Thailand
T +662-275-9949
sales.thailand@hikvision.com

Hikvision Europe
T +31-23-5542770
sales.eu@hikvision.com

Hikvision Italy
T +39-0438-6902
info.it@hikvision.com

Hikvision Brazil
T +55 11 3318-0050
Latam.support@hikvision.com

Hikvision Turkey
T +90 (216)521 7070- 7074
sales.tr@hikvision.com

Hikvision Malaysia
T +601-7652-2413
sales.my@hikvision.com

Hikvision UK & Ireland
T +01628-902140
sales.uk@hikvision.com

Hikvision South Africa
Tel: +27 (10) 0351172
sale.africa@hikvision.com

Hikvision France
T +33(0)1-85-330-450
info.fr@hikvision.com

Hikvision Kazakhstan
T +7-727-9730667
nikia.panfilov@hikvision.ru

Hikvision Vietnam
T +84-974270888
sales.vt@hikvision.com

Hikvision UAE
T +971-4-4432090
salesme@hikvision.com

Hikvision Singapore
T +65-6684-4718
sg@hikvision.com

Hikvision Spain
T +34-91-737-16-55
info.es@hikvision.com

Hikvision Tashkent
T +99-87-1238-9438
uzb@hikvision.ru

Hikvision Hong Kong
T +852-2151-1761
info.hk@hikvision.com

Hikvision Russia
T +7-495-669-67-99
saleru@hikvision.com

Hikvision Korea
T +82-(0)31-731-8817
sales.korea@hikvision.com

Hikvision Poland
T +48-22-460-01-50
info.pl@hikvision.com

Hikvision Indonesia
T +62-21-2933759
Sales.Indonesia@hikvision.com

Hikvision Colombia
sales.colombia@hikvision.com

SAMSUNG Monitor 24" 24T350FHRXEN

Technické parametry

Úhlopříčka displeje (") 24"

Rozlišení displeje 1920x1080 (Full HD)

Výbava VESA montáž

Formát obrazovky 16:9

Typ panelu IPS

Povrchová úprava displeje Matný

Doba odezvy (ms) 5-10

Rozhraní HDMI Popis:



Technické specifikace

- Typ Monitoru kancelářské, herní
- Úhlopříčka v palcích 24 "
- Typ panelu IPS
- Nativní rozlišení 1920x1080 (Full HD)
- Poměr stran 16:9
- Reálný kontrast 1.000:1
- Jas (cd / m2) 250
- Pozorovací úhel 178 / 178
- Doba odezvy 5 ms
- Obnovovací frekvence 75 Hz
- Funkce připevnění na zeď, freeSync, Flicker Reduction, Blue Light Reduction
- Vstupy D-SUB (VGA), HDMI
- Barva černá
- Šířka 53.9 cm
- Výška 42.5 cm
- Hloubka 23.2 cm
- Hmotnost 2.7 kg
- Příkon 25 W
- Energetická třída E Informační list

Krásný obraz monitoru Samsung T35F (LF24T350FHRXEN)

Samsung T35F vás okouzlí na první pohled. Je opravdu stylový, ze 3 stran nabízí bezrámečkové provedení a stojan má tvar písmene Y. Výrobce však nedal pouze na design, k zahození nejsou ani technické parametry. Dobré pozorovací úhly, slušné rozlišení Full HD a dostatečně velká úhlopříčka 24 " vás potěší.

Keor PDU 800 VA

3 103 30 - 3 103 31
 3 103 32 - 3 103 33

TABLE OF CONTENTS

Page

1. General features.....1
 2. Technical features.....1



1. GENERAL FEATURES

The Legrand UPS Keor PDU 800 VA models are uninterruptible power sources with off-line technology. They deliver an active power of 480 W, they are CPU-controlled and are equipped, internally, with valve-regulated, hermetically sealed lead accumulator batteries to guarantee a minimum backup time of 10 minutes at 50% of the load and 3 minutes at 80% of the load.

Keor PDU provides effective protection against any interference in the electrical mains.

This UPS is available with different types of output sockets with backup protection and surge protection:

- Versions 3 103 30: French Input eight French output sockets
- Versions 3 103 31: Multi-Standard Input eight IEC output sockets
- Versions 3 103 32: Multi-Standard Input eight German/Italian output sockets
- Versions 3 103 33: UK Input eight IEC output sockets

The UPS can be connected to a PC through the USB port allowing you to monitor its operations, thanks to the free software, and carry out an emergency shutdown of Windows and Linux operating systems.

Keor PDU is managed by a microprocessor and is able to display the following alarms and operating modes through the smart LED bar:

- Battery Mode
- Battery Low
- Overload
- System Fault
- End of Backup Time

The Keor PDU is CE marked and compliant with EU directives 2014/30 and 2014/35.

It's also designed and built in compliance with the following standards:

- EN 62040-1 "Safety requirements for UPSs"
- EN 62040-2 "Electromagnetic Compatibility requirements (EMC) for UPSs"

2. TECHNICAL FEATURES

Model	KEOR PDU 800
--------------	--------------

General features	
Nominal power (VA)	800
Active power (W)	480
Technology	Off-Line VFD
Waveform	Simulated sinewave

Input	
Input Socket	1 IEC 10A
Nominal voltage (V)	230
Voltage range (V)	180 - 270
Frequency (Hz)	50 - 60 ± 5Hz

Output	
Outlets type:	
- IEC Version	Backup: 8°C13
- German-Italian Version	Backup: 8°C EE 7/3
- French Version	Backup: 8°C EE 7/5
Voltage (V)	230 ± 10%
Frequency (Hz)	50 - 60 ± 1Hz

Protections	
Full protection	Deep Discharge, Over-Load and Short-Circuit Protection
Type	Fuse

Batteries	
Number of batteries	1
Battery series Type / Voltage	VRLA 9 Ah

Communication and Management	
Interface	LED bar (green / orange / red)
USB HID	Type B
Alarms	Visual (LED bar), Audible (buzzer)

Mechanical Features	
Measurements W x D x H (mm)	19" x 150mm x 2U
Net Weight (kg)	5,5

Environmental Conditions	
Operating temperature (°C)	0-40
Relative humidity (%)	< 95 (without condensing)
Noise level (dB)	≤ 40

Certifications	
Standards and marks	EN 62040-1, EN 62040-2, CE

DS-7616NXI-I2/16P/S AcuSense Series NVR

Key Feature

- H.265+/H.265/H.264+/H.264 video formats
- Intelligent analytics based on deep learning algorithm
- Up to 4-ch perimeter protection
- Up to 1-ch facial recognition for video stream
- Up to 4-ch facial recognition for face picture
- Up to 16-ch IP camera inputs
- Up to 16-ch 1080p decoding capability



Compression and Recording

- H.265+ compression effectively reduces the storage space by up to 75%
- Full channel IP cameras connection
- Adopt stream over TLS encryption technology which provides more secure stream transmission service
- Support double verification for playback and downloading

HD Video Output

- Provide independent HDMI and VGA outputs
- HDMI video output at up to 4K resolution

Storage and Playback

- Up to 2 SATA interfaces for HDD connection
- 16-ch synchronous playback at up to 1080p resolution

Smart & POS Function

- Support multiple VCA (Video Content Analytics) events
- Smart search for the selected area in the video, and smart playback to improve the playback efficiency
- POS information overlay on live view and playback
- POS triggered recording and alarm



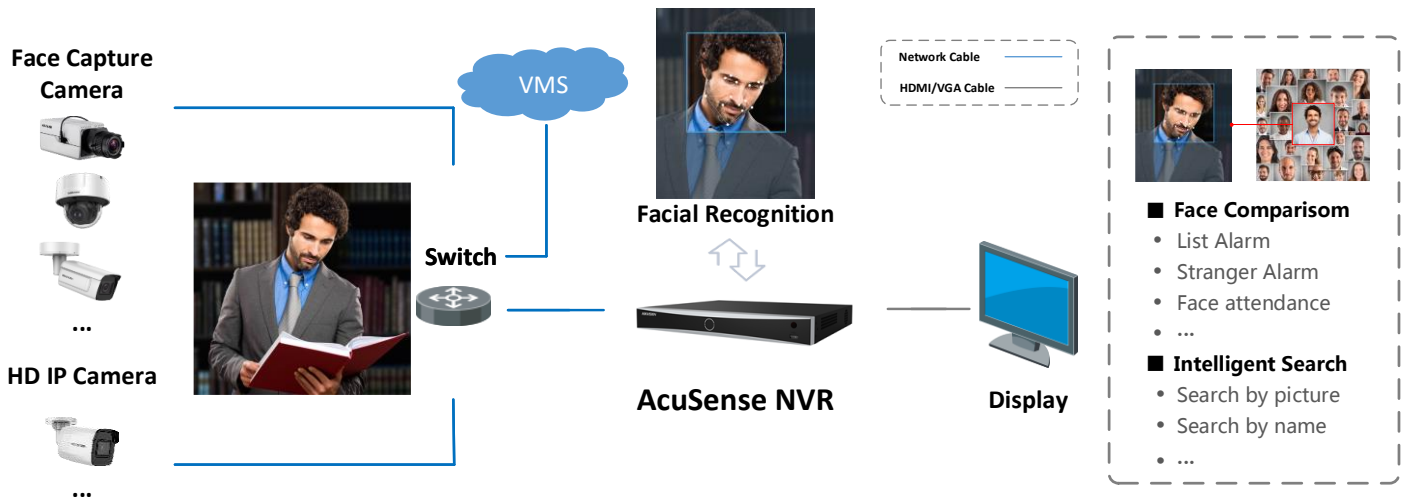
Network & Ethernet Access

- 16 independent PoE network interfaces
- 1 self-adaptive 10/100/1000 Mbps Ethernet interfaces
- Hik-Connect & DDNS (Dynamic Domain Name System) for easy network management
- Smooth streaming technology
- Support web access without plug-in

Typical Application

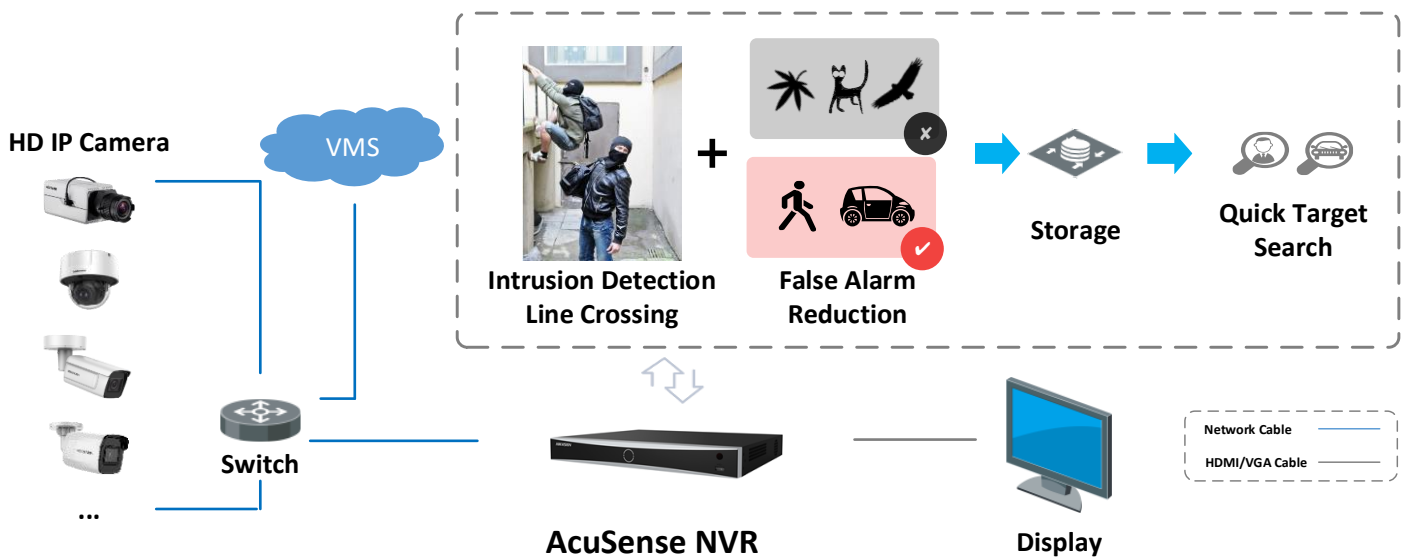
Facial Recognition and Face Picture Comparison

Modeling and analyzing face pictures captured by cameras. Realize blacklist alarm and stranger alarm via face picture library. Search target people by picture and name features.



Perimeter Protection

Adopt deep learning algorithm to reduce false alarm, effectively reduces the false alarm caused by tree branches, leaves, shadow, light, vehicles, small animals, etc.



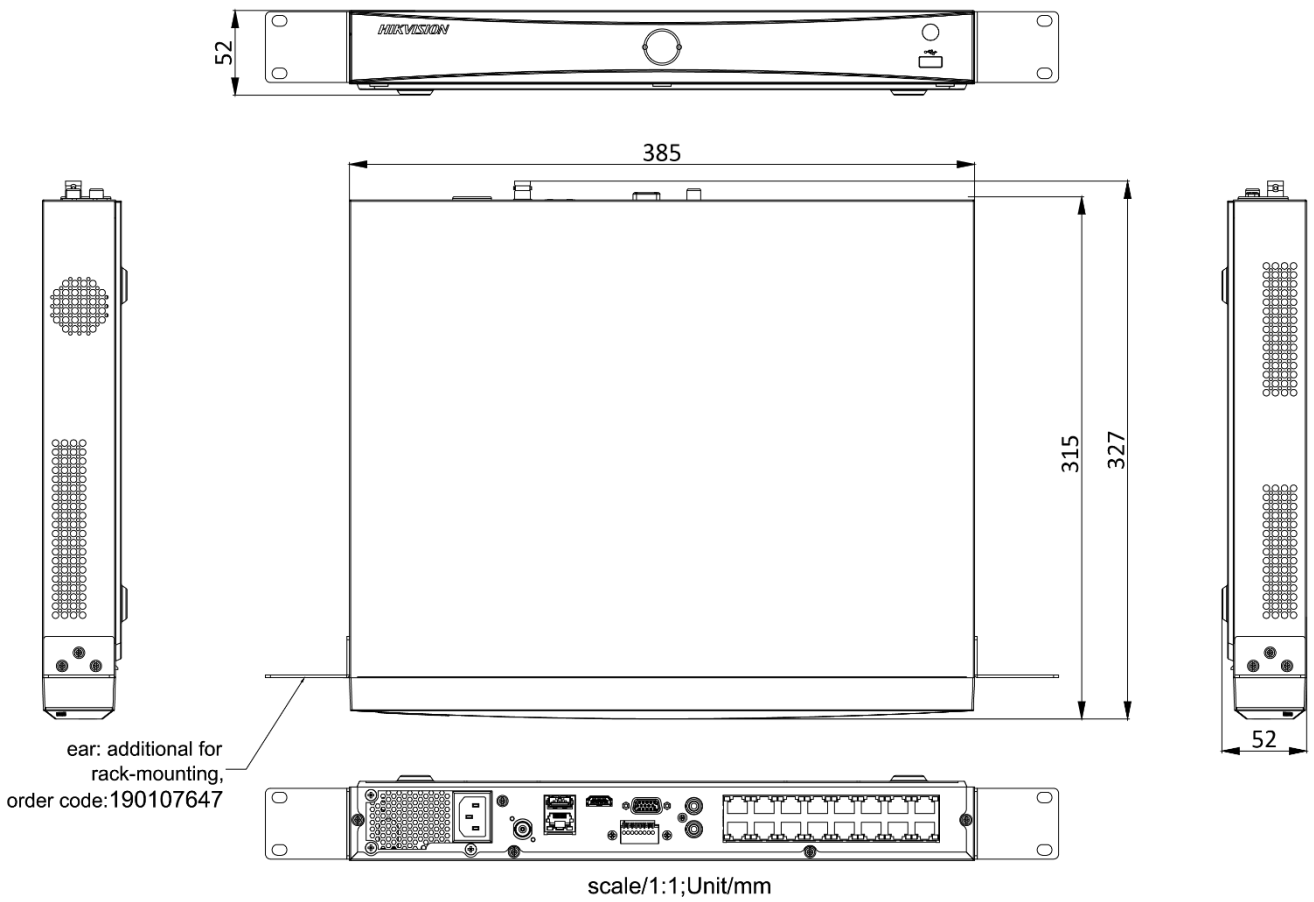
Specification

Model	DS-7616NXI-I2/16P/S
Facial Recognition¹	
Facial detection and analytics	Face picture comparison, human face capture, face picture search
Face picture library	Up to 16 face picture libraries, with up to 10,000 face pictures in total (each picture ≤ 512 KB, total capacity ≤ 150 MB)
Face picture comparison	4-ch face picture comparison alarm
Performance of facial detection and analytics	1-ch human face capture (HD network camera, up to 8 MP, H.264/H.265)
Motion Detection 2.0¹	
Human/vehicle analysis	16-ch
Perimeter Protection¹	
Human/Vehicle analysis	Up to 4-ch 2 MP (H.264/H.265) video analysis for human and vehicle recognition to reduce false alarm; Up to 12 rules in total
Video and Audio	
IP video input	16-ch
	Up to 12 MP resolution
Incoming bandwidth	160 Mbps
Outgoing bandwidth	256 Mbps
HDMI output	4K (3840 × 2160)/60Hz, 4K (3840 × 2160)/30Hz, 2K (2560 × 1440)/60Hz, 1920 × 1080/60Hz, 1600 × 1200/60Hz, 1280 × 1024/60Hz, 1280 × 720/60Hz, 1024 × 768/60Hz
VGA output	1-ch, 1920 × 1080/60Hz, 1280 × 1024/60Hz, 1280 × 720/60Hz, 1024 × 768/60Hz,
Video output mode	HDMI/VGA independent output
CVBS output	1-ch, BNC (1.0 Vp-p, 75 Ω), resolution: PAL: 704 × 576, NTSC: 704 × 480
Audio output	1-ch, RCA (Linear, 1 KΩ)
Two-way audio input	1-ch, RCA (2.0 Vp-p, 1 KΩ)
Decoding	
Decoding format	H.265+/H.265/H.264+/H.264/MPEG4
Recording resolution	12 MP/8 MP/6 MP/5 MP/4 MP/3 MP/1080p/UXGA/720p/VGA /4CIF/DCIF/2CIF/CIF/QCIF
Synchronous playback	16-ch
Capability	16-ch@1080p (30 fps)
Dual stream recording	Support
Stream type	Video, Video & Audio
Audio compression	G.711ulaw/G.711alaw/G.722/G.726/MP2L2
Network	
Remote connections	128
Network protocol	TCP/IP, DHCP, IPv4, IPv6, DNS, DDNS, NTP, RTSP, SADP, SMTP, SNMP, NFS, iSCSI, ISUP, UPnP™, HTTP, HTTPS
Network interface	1, RJ-45 10/100/1000 Mbps self-adaptive Ethernet interface
PoE	

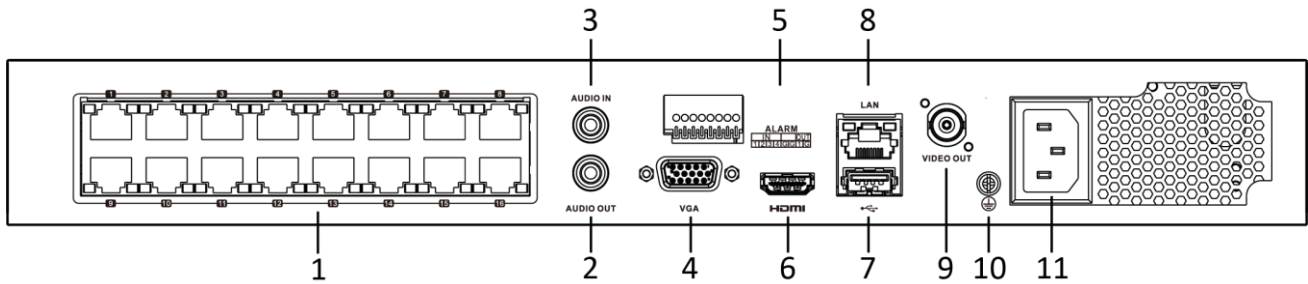
Interface	16, RJ-45 10/100 Mbps self-adaptive Ethernet interface
Power	≤ 200 W
Supported standard	IEEE 802.3 af/at
Auxiliary interface	
SATA	2 SATA interfaces supporting hot-plug
Capacity	Up to 10 TB capacity for each disk
Alarm in/out	4/1
USB interface	Front panel: 1 × USB 2.0; Rear panel: 1 × USB 3.0
General	
Power supply	100 to 240 VAC, 50 to 60 Hz
Consumption (without HDD)	≤ 15 W
Working temperature	-10 °C to 55 °C (14 °F to 131 °F)
Working humidity	10% to 90%
Chassis	1U chassis
Dimension (W × D × H)	385 × 315 × 52 mm (15.2"× 12.4" × 2.0")
Weight (without HDD)	≤ 3 kg (6.6 lb)
Certification	
FCC	Part 15 Subpart B, ANSI C63.4-2014
CE	EN 55032:2015, EN 61000-3-2, EN 61000-3-3, EN 50130-4

1: Facial recognition, motion detection 2.0 and perimeter protection cannot be enabled at the same time. Enable one function will make the others unavailable.

Dimension



Physical Interface



No.	Description	No.	Description
1	PoE Interfaces	7	USB 3.0 interface
2	AUDIO OUT	8	LAN Network Interface
3	AUDIO IN	9	VIDEO OUT
4	VGA Interface	10	GND
5	Alarm In/Alarm Out	11	Power Supply
6	HDMI Interface		

Available Model

DS-7616NXI-I2/16P/S

Distributed by



Headquarters

No.555 Qianmo Road, Binjiang District,
Hangzhou 310051, China
T +86-571-8807-5998
overseasbusiness@hikvision.com

Hikvision USA
T +1-909-895-0400
sales.usa@hikvision.com

Hikvision Australia
T +61-2-8599-4233
salesau@hikvision.com

Hikvision India
T +91-22-28469900
sales@pramahikvision.com

Hikvision Canada
T +1-866-200-6690
sales.canada@hikvision.com

Hikvision Thailand
T +662-275-9949
sales.thailand@hikvision.com

Hikvision Europe
T +31-23-5542770
sales.eu@hikvision.com

Hikvision Italy
T +39-0438-6902
info.it@hikvision.com

Hikvision Brazil
T +55 11 3318-0050
Latam.support@hikvision.com

Hikvision Turkey
T +90 [216]521 7070- 7074
sales.tr@hikvision.com

Hikvision Malaysia
T +601-7652-2413
sales.my@hikvision.com

Hikvision UK & Ireland
T +01628-902140
sales.uk@hikvision.com

Hikvision South Africa
Tel: +27 [10] 0351172
sale.africa@hikvision.com

Hikvision France
T +33[0]1-85-330-450
info.fr@hikvision.com

Hikvision Kazakhstan
T +7-727-9730667
nikia.panfilov@hikvision.ru

Hikvision Vietnam
T +84-974270888
sales.vt@hikvision.com

Hikvision UAE
T +971-4-4432090
salesme@hikvision.com

Hikvision Singapore
T +65-6684-4718
sg@hikvision.com

Hikvision Spain
T +34-91-737-16-55
info.es@hikvision.com

Hikvision Tashkent
T +99-87-1238-9438
uzb@hikvision.ru

Hikvision Hong Kong
T +852-2151-1761
info.hk@hikvision.com

Hikvision Russia
T +7-495-669-67-99
saleru@hikvision.com

Hikvision Korea
T +82-(0)31-731-8817
sales.korea@hikvision.com

Hikvision Poland
T +48-22-460-01-50
info.pl@hikvision.com

Hikvision Indonesia
T +62-21-2933759
Sales.Indonesia@hikvision.com

Hikvision Colombia
sales.colombia@hikvision.com