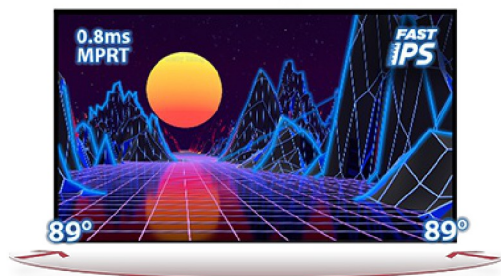




Unleash your full gaming potential with the Fast IPS GB2770HSU Red Eagle

Get the competitive edge you need to unleash your full gaming potential with the 27" GB2770HSU offering 0.8ms MPRT and 165Hz refresh rate. Armed with FreeSync Premium you can make split second decisions and forget about ghosting effects or smearing issues. The ability to adjust brightness and the dark shades with the Black Tuner delivers greater viewing performance in shadowed areas and the IPS panel technology guarantees superb image quality. Thanks to the height adjustable stand you can easily adjust the screen position to your preferences to ensure comfort during marathon gaming sessions.

Available also with fixed stand: [G-Master G2770HSU-B1](#)



Fast IPS

The Fast IPS panel technology guarantees not only high-fidelity, vivid battleground scenes displayed with outstanding colour accuracy but provides also an outstanding 0.8ms Moving Picture Response Time (MPRT).



FreeSync™ Premium Technology

This monitor guarantees low input latency and low framerate compensation putting an end to any tearing or stuttering issues at virtually any framerate.

01 DISPLAY CHARACTERISTICS

| | |
|----------------------|---|
| Diagonal | 27", 68.6cm |
| Panel | Fast IPS IGZO, matte finish |
| Native resolution | 1920 x 1080 @165Hz (2.1 megapixel Full HD, DisplayPort) |
| Aspect ratio | 16:9 |
| Panel brightness | 250 cd/m ² |
| Static contrast | 1100:1 |
| Advanced contrast | 80M:1 |
| Response time (MPRT) | 0.8ms |
| Viewing zone | horizontal/vertical: 178°/178°, right/left: 89°/89°, up/down: 89°/89° |
| Colour support | 16.7mIn 8bit |
| Horizontal Sync | 15 - 225kHz |
| Viewable area W x H | 598 x 336.5mm, 23.5 x 13.2" |
| Pixel pitch | 0.311mm |
| Colour | matte, black |

02 INTERFACES / CONNECTORS / CONTROLS

| | |
|---------------------|---|
| Signal input | HDMI x1 (max. 1920 x 1080 @144Hz) DisplayPort x1 (max. 1920 x 1080 @165Hz) |
| USB HUB | x2 (v.2.0 DC5V, 500mA) |
| HDCP | yes |
| Headphone connector | yes |

03 FEATURES

| | |
|--------------------|---|
| Blue light reducer | yes |
| Flicker free | yes |
| FreeSync support | HDMI: 1920 x 1080 @48-144Hz, DP: 1920 x 1080 @48-165Hz |
| OSD languages | EN, DE, FR, ES, IT, PT, RU, JP, CZ, NL, PL |
| Control buttons | Signal select/ Exit, +/- Volume, -/ i-Style Colour, Menu, Power |
| User controls | picture adjust (contrast, brightness, overdrive, ACR, ECO, blue light reducer, Black Tuner, MBR, gamma), input select, audio adjust (volume, mute), store user settings, colour settings (colour temperature, 6-Axis, user preset), image adjust (i-Style colour, X-Res Technology, sharp & soft, HDMI range, direct drive mode, video mode adjust), language, setup menu (OSD H. position, OSD V. position, OSD time out, opening logo, AMD FreeSync Premium, LED), display information, reset |
| Speakers | 2 x 2W |
| Convenience | Kensington-lock™ prepared, DDC2B, Mac OSX |

04 MECHANICAL

| | |
|------------------------------|---|
| Display position adjustments | height, tilt, pivot (rotation both sides) |
| Height adjustment | 130mm |
| Rotation (PIVOT function) | 90° |
| Tilt angle | 18° up; 3° down |
| VESA mounting | 100 x 100mm |
| Cable management system | yes |

05 ACCESSORIES INCLUDED

| | |
|--------|---------------------------------|
| Cables | power, USB, HDMI, DP |
| Other | quick start guide, safety guide |

06 POWER MANAGEMENT

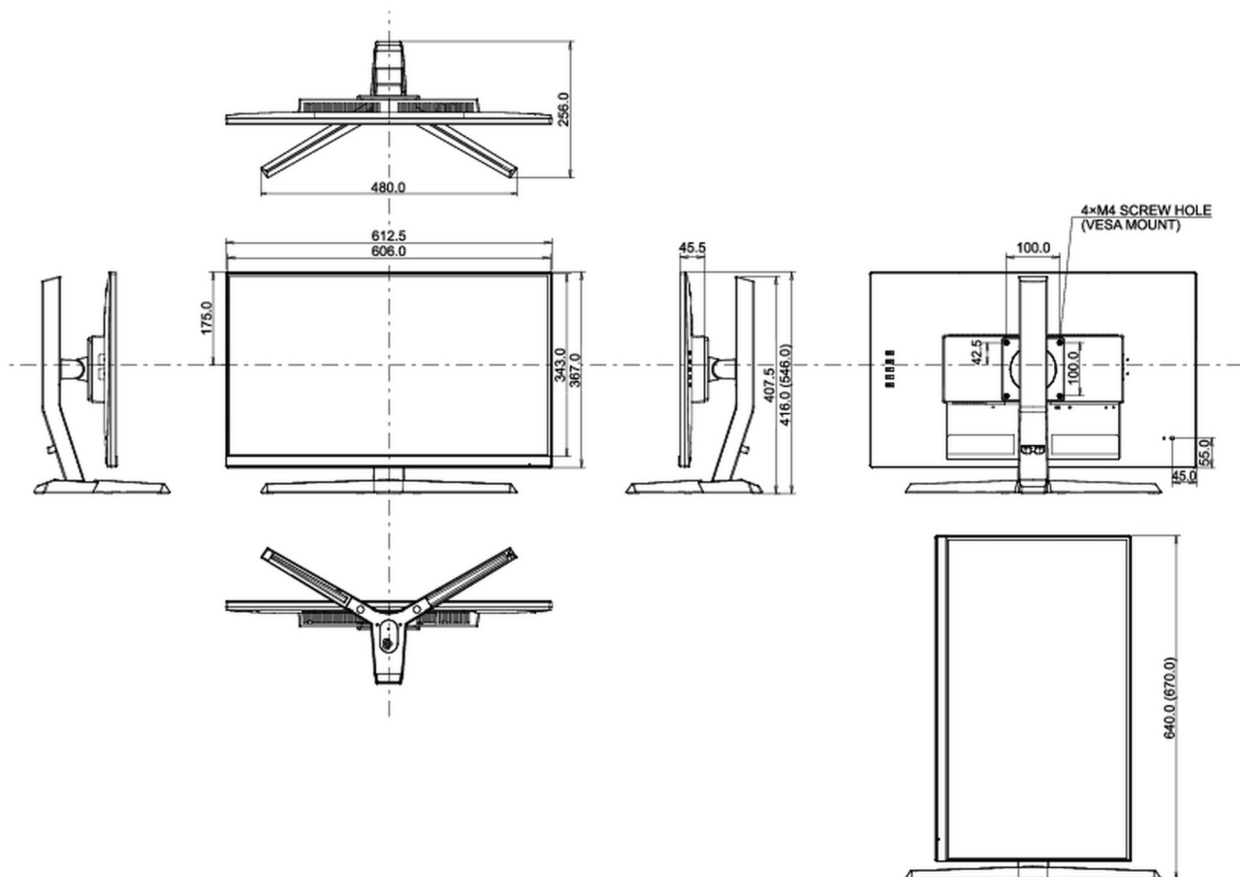
| | |
|-------------------|---|
| Power supply unit | internal |
| Power supply | AC 100 - 240V, 50/60Hz |
| Power usage | 22W typical, 0.5W stand by, 0.3W off mode |

07 SUSTAINABILITY

| | |
|---|--|
| Regulations | CE, TÜV-Bauart, EAC, PSE, RoHS support, ErP, WEEE, VCCI, REACH |
| Energy efficiency class (Regulation (EU) 2017/1369) | E |
| REACH SVHC | above 0.1%: Lead |

08 DIMENSIONS / WEIGHT

| | |
|------------------------------|--------------------------|
| Product dimensions W x H x D | 612.5 x 416(546) x 256mm |
| Box dimensions W x H x D | 745 x 480 x 204mm |
| Weight (without box) | 5.2kg |
| Weight (with box) | 7.5kg |
| EAN code | 4948570117758 |



| AutoCont OfficePro 1046 | |
|-------------------------|--|
| Procesor | Intel Core i3-10105 (3.7GHz) |
| Operační paměť | 32GB DDR4 2666MHz |
| Disk | SSD 1TB NVMe |
| integrovaná GPU | GIGABYTE Radeon™ RX 6800 XT GAMING OC 16G (kompatibilní DirectX 12) 2x HDMI 2.1, 2x DisplayPort 1.4a |
| Case | Midi Core 2300 černá - USB 3.0 |
| Zdroj | GIGABYTE zdroj 750W 80PLUS Gold Modular |
| Operační systém | Windows 10 Pro CZ x64 (Windows 11 ready) |
| Záruka | 36 měsíců |



PERFORMANCE

Processor

MediaTek Helio G90T (8C, 2x A76 @2.05GHz + 6x A55 @2.0GHz)

Graphics

Integrated ARM Mali-G76 MC4 GPU

Chipset

MediaTek SoC Platform

Memory

4GB Soldered LPDDR4x

Storage

128GB UFS 2.1

Expandable Memory

MicroSD Card (Up to 512GB, FAT32; 1TB, exFAT)

Card Reader

Single Nano-SIM & MicroSD Card Slot

Storage Support

- 128GB UFS 2.1 on systemboard
- MicroSD card, supports FAT32 file up to 512GB, exFAT file up to 1TB

Camera

Front 8.0MP / Rear 8.0MP

Microphone

2x, Array

Speakers

4 side JBL® speakers, Synopsys codec, 2 x1W (on the top), 2 x2W (on the bottom) with 5cc audio chamber, Lenovo® Premium Audio (LPA) Solution design, optimized with Dolby® Atmos®

Sensors

- Accelerometer (G) sensor
- Ambient light sensor (ALS)
- Gyroscope sensor
- ToF sensor

Vibration Motor

Eccentric Rotating Mass (ERM)

Battery

Integrated 7500mAh (Min.) / 7700mAh (Typ.)

Max Battery Life

Standby time: 500 hr

Online video playback time: 15 hr

Talk time: 15 hr (WWAN model)

Browsing time: 15 hr

Charging Time

Over 2 hr to fully charged

Power Adapter

10V / 2.0A

DESIGN

Display

11" 2K (2000x1200) IPS TDDI 400nits, Dolby Vision™, Touch

Touchscreen

10-point Multi-touch

Case Material

Metal, PC + ABS and Fabric

Pen

Pen Upgradable

Water Proofing

IP52

Dimensions (WxDxH)

256.8 x 169.0 x 7.9-8.3 mm (10.11 x 6.65 x 0.31-0.32 inches)

Weight

Around 650 g (1.43 lbs)

Case Color

Storm Grey

SOFTWARE

Operating System

Android™ 11 or later

Preinstalled Software

- Google One
- Netflix
- Office
- OneNote
- Recorder
- Google Photos
- YouTube Music
- Google Play
- Google Play Books
- Google Play Games
- Yandex (RU only)
- YouTube
- Gmail
- Google Assistant
- Google Calendar
- Contacts
- Files by Google
- Calculator
- Clock
- Dolby® Atmos®
- Dolby Vision™
- Google Duo
- Google Entertainment Space
- Google Maps
- Kids Space
- Amazon Music

CONNECTIVITY

WLAN + Bluetooth®

11a/b/g/n/ac, 1x1 + BT5.0

WWAN

4G LTE

VoiceCall

LTE Call

Standard Ports

1x USB-C 2.0 (support data transfer, OTG, and Power Delivery 2.0)

SERVICE

Base Warranty

2-year, Mail-in with 1-year Battery

CERTIFICATIONS

Green Certifications

- ENERGY STAR® 8.0
- RoHS compliant

Other Certifications

TÜV Rheinland® Low Blue Light (Software Solution)

MODEL

TopSeller : No

Announce Date : 2021-05-04

EAN / UPC / JAN : 195890099736

· Product image on this page is a sample, it may not match the real color of this model

· Battery life is an estimated maximum. Actual battery life may vary based on many factors, including screen brightness, active applications, features, power management settings, battery age and conditioning, and other customer preferences

Premium Care - Advanced Support from Real People. Real Fast.

REAL PERSON

Choose how you want to reach us – through phone, chat, or email – our expert technicians will take care of your device issues.

HASSLE FREE

'Getting started' and 'how-to' assistance for hardware and software. Easy solutions that are simple to reach – that's how Premium Care delivers you the ideal support experience.

REAL FAST

Highly trained technicians will provide you real-time solutions, whatever the issue, on your first contact. If the issue can't be solved remotely, our team will schedule a repair via depot / carry-in support to resolve your issue.

Accidental Damage Protection One - Protection for your Tablet from the unexpected.

Avoid the hassles of unexpected damage & repair costs. With coverage for drops, spills, electric surges, and broken LCD screens, accidental damage protection makes it easy to repair to your Tablets, permitting a single repair during the coverage period.

Base Warranty - Included with the system you purchase with default 1-year coverage window.

Lenovo Warranty Extensions & Upgrades (up to 3 years duration)

- Gain complete peace of mind by extending your base warranty to up to 3 years and minimize unexpected repair costs.

- Pick up & return courier / Depot support
- Replaceable unit service*

*Applicable in some regions only. Please check with your local services team for more details.

Lenovo may not offer the products, services or features discussed in this document in all regions. Lenovo may withdraw an offering at any time. Consult your local representative for information on offerings available in your area. Lenovo reserves the right to change specifications or other product information without notice. Lenovo is not responsible for photographic or typographical errors. Lenovo provides this publication "as is" without warranty of any kind, either express or implied, including the implied warranties of merchantability or fitness for a particular purpose.



For a full list of accessories and services, please visit:
<https://smartfind.Lenovo.com>

PSREF
Product Specifications
Reference