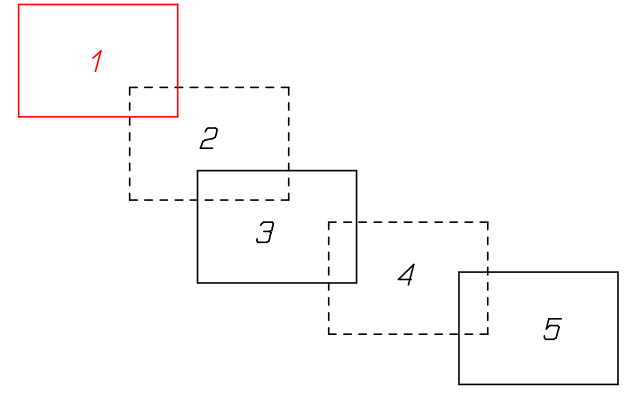
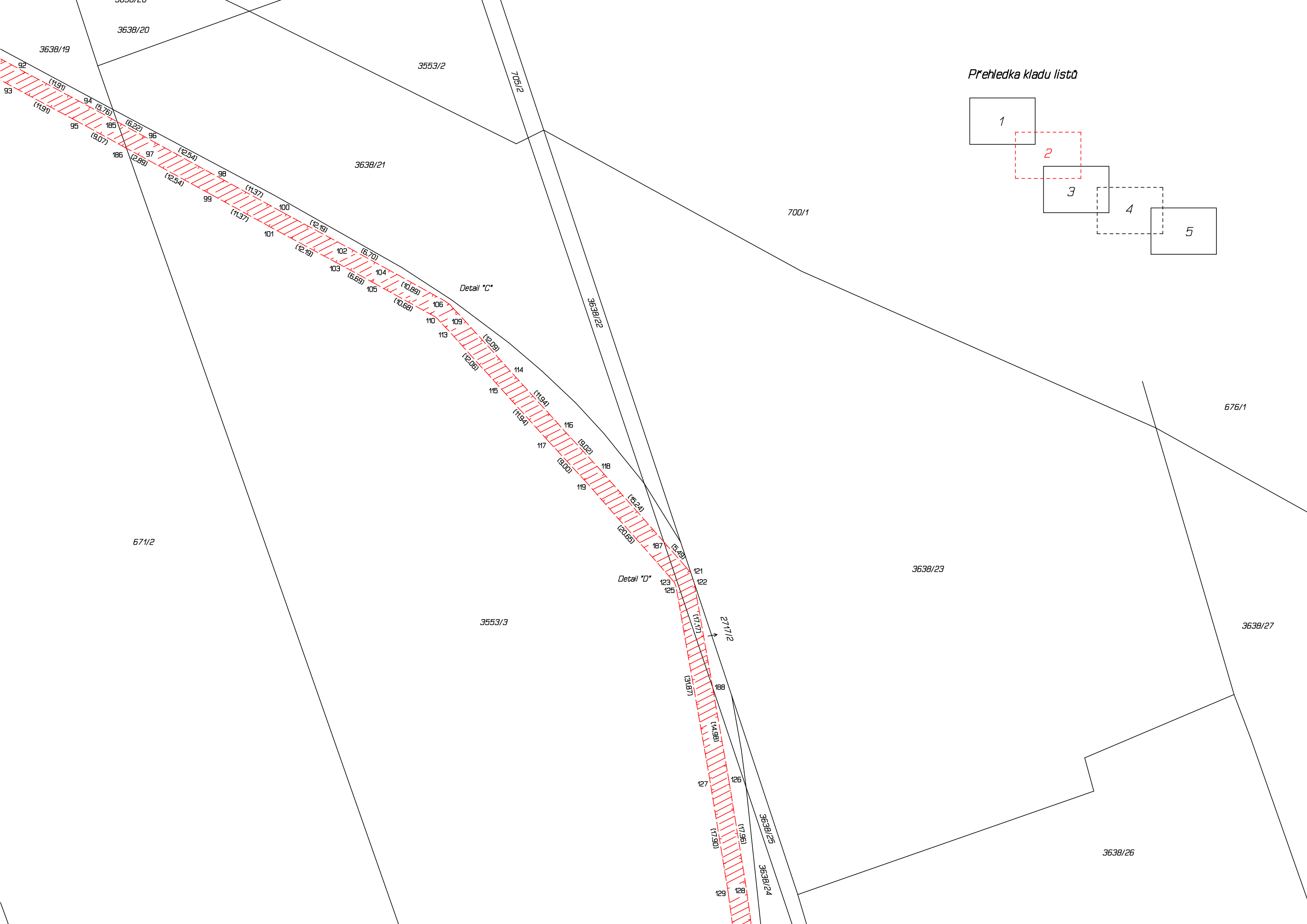
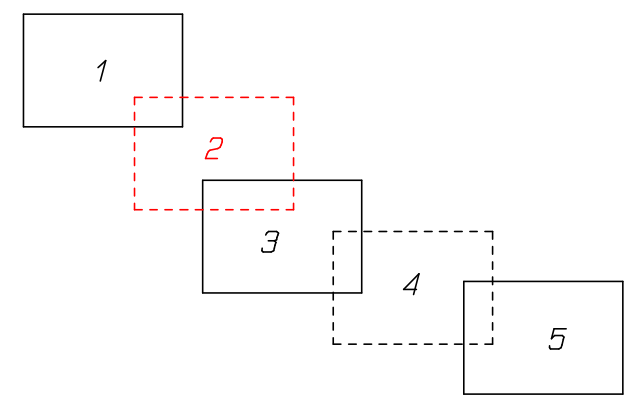


Prehľadka kladu listô

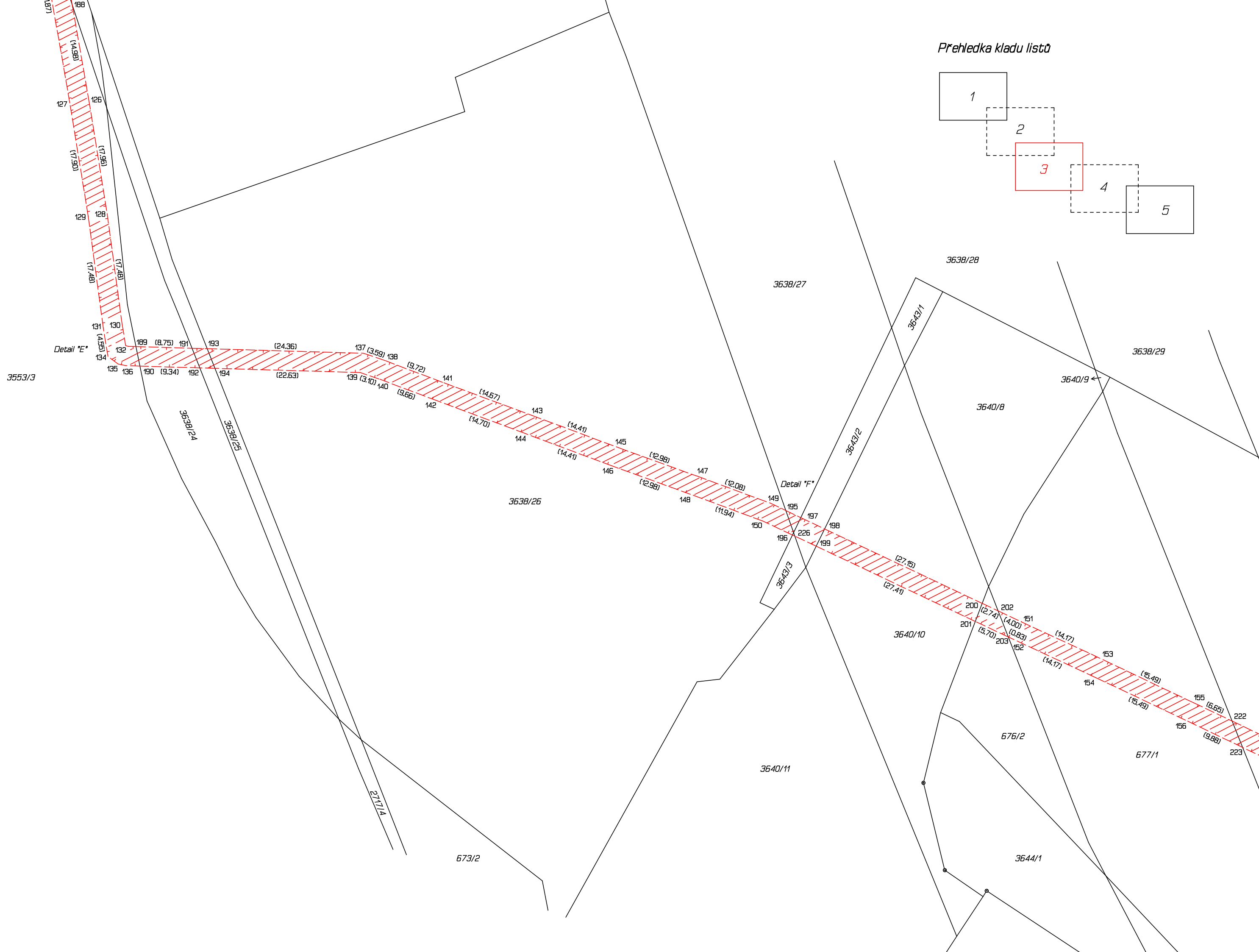
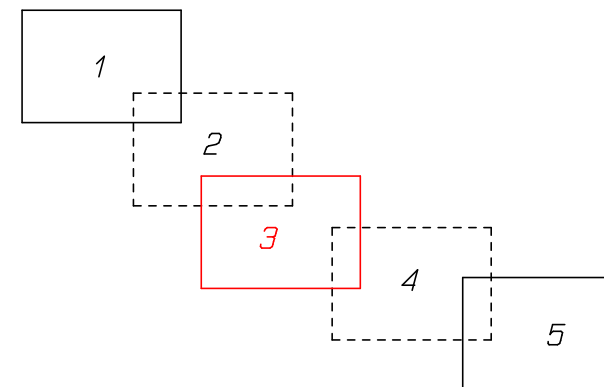




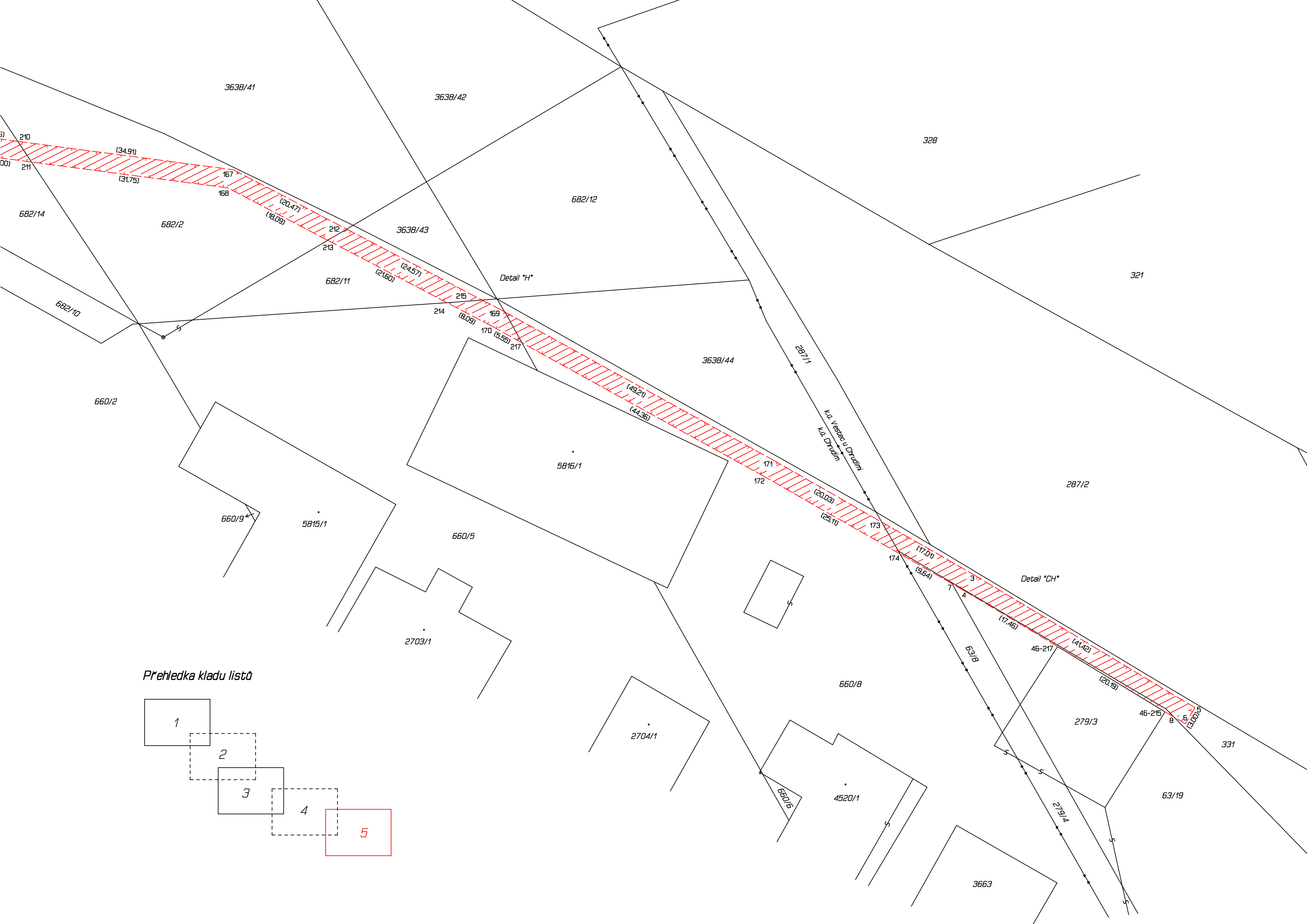
Prehledka kladu listů



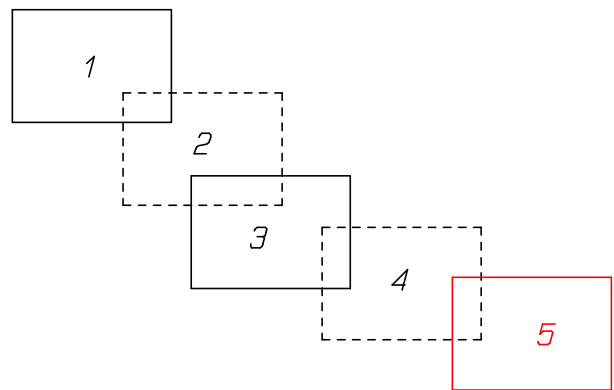
Prehľadka kladu listů







*Přehledka kladu listů*



3638/41

3638/42

328

(34,91)

(31,75)

167

168

(20,47)

(18,09)

212

213

3638/43

682/12

682/14

682/2

682/11

(21,60)

(24,57)

215

169

(5,55)

217

Detail "H"

682/10

660/2

660/9

5815/1

5816/1

3638/44

(49,21)

(44,36)

171

172

(20,03)

(23,11)

173

174

(17,01)

(9,64)

660/8

Detail "CH"

(17,46)

287/2

(41,42)

(20,19)

2703/1

660/5

2704/1

63/8

46-217

279/3

46-215

8

6

(3,00)

331

63/19

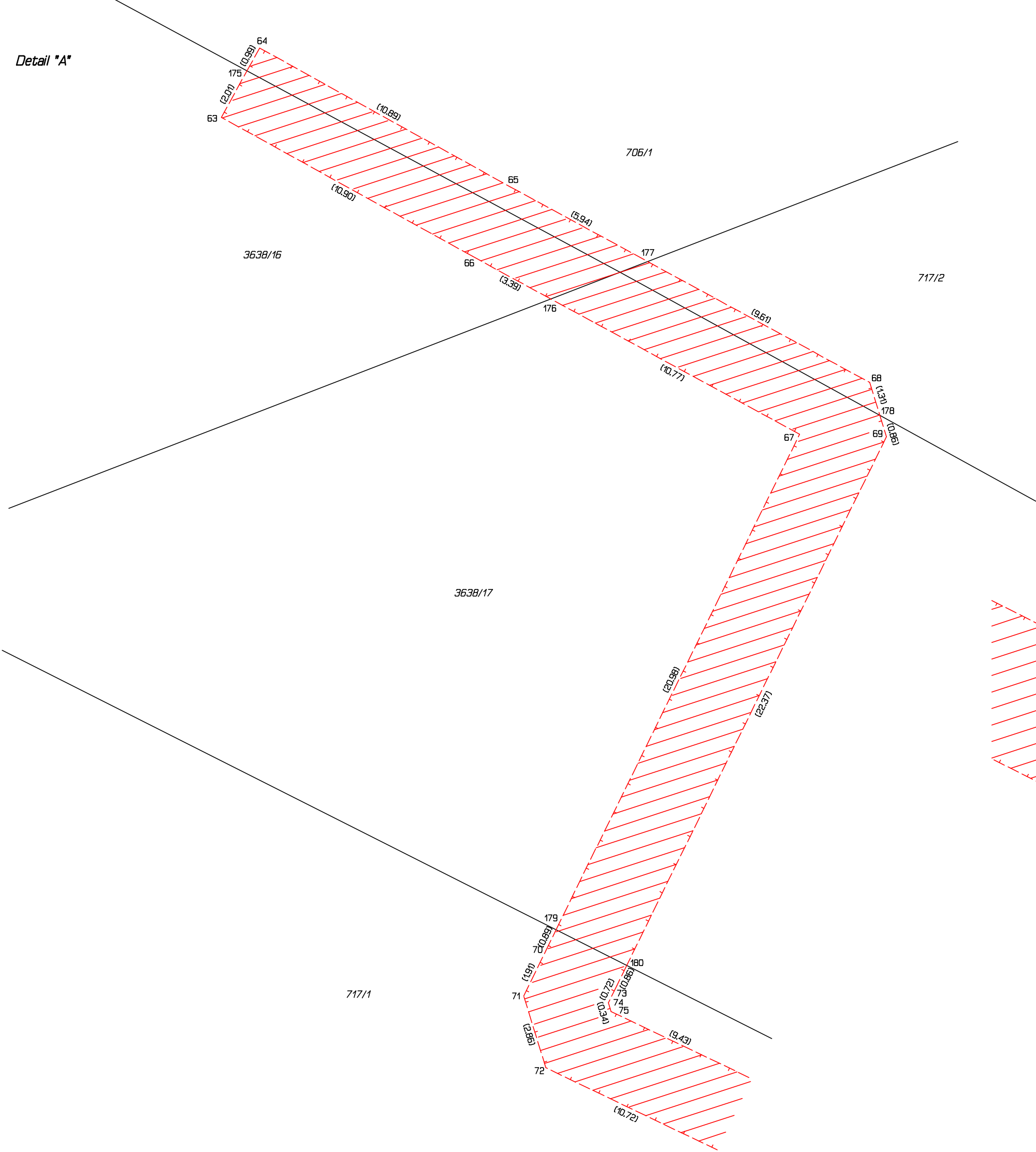
660/6

4520/1

279/4

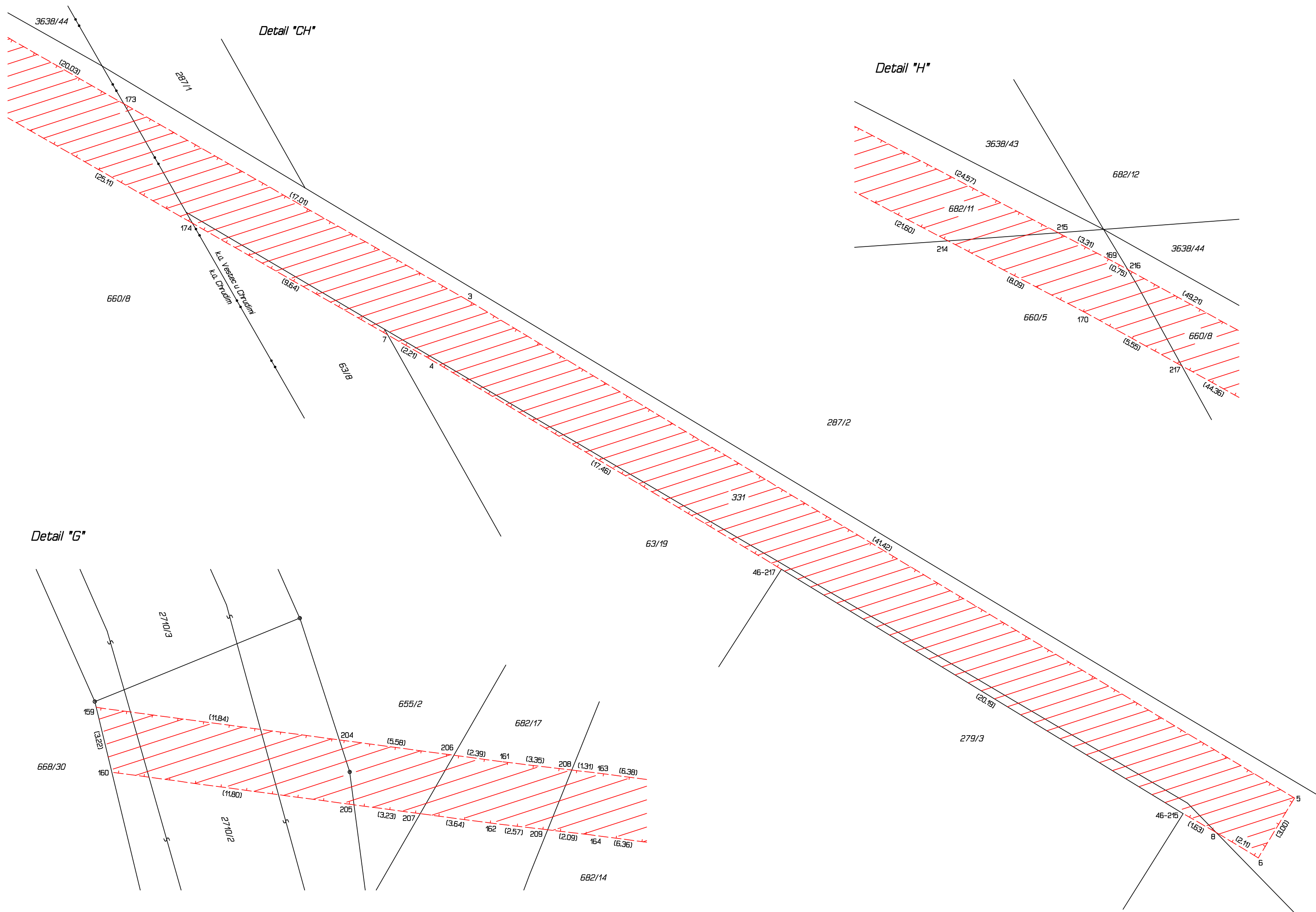
3663

Detail "A"









Detail "CH"

Detail "H"

Detail "G"

3638/44

287/1

(20.03)

173

(25.11)

(17.01)

174

(9.64)

660/8

K.O. Vestece U. Cihacim  
K.O. Cihacim

63/8

7

(2.21)

4

3

(17.46)

331

63/19

287/2

(41.42)

46-217

279/3

(20.19)

668/30

27/10/3

(11.84)

159

(3.22)

160

(11.80)

27/10/2

204

(5.58)

(3.23)

205

(3.64)

206

(2.39)

(2.57)

161

(3.35)

(2.09)

208

(1.31)

163

(6.38)

682/14

682/17

655/2

162

(2.09)

209

(6.36)

164

(3.00)

46-215

(1.53)

8

(2.11)

6

5

(3.00)

682/12

3638/43

(24.57)

682/11

(21.60)

214

(8.09)

660/5

170

(5.55)

660/8

(49.21)

3638/44

217

(44.36)

215

(3.31)

169

(0.75)

216

217



## Seznam souřadnic (S-JTSK)

Číslo bodu	Souřadnice pro zápis do KN	Y	X	Kód kv.	Poznámka
k.ú. Chrudim (654299)					
123	646764.47	1068551.24	3		
124	646764.06	1068551.74	3		
125	646763.81	1068552.42	3		
126	646755.38	1068583.32	3		
127	646758.34	1068583.82	3		
128	646752.51	1068601.05	3		
129	646755.47	1068601.49	3		
130	646750.16	1068618.37	3		
131	646753.12	1068618.81	3		
132	646749.63	1068621.60	3		
133	646749.23	1068621.72	3		
134	646752.39	1068623.30	3		
135	646750.80	1068624.46	3		
136	646749.57	1068624.72	3		
137	646712.57	1068622.81	3		
138	646709.17	1068623.96	3		
139	646713.11	1068625.79	3		
140	646710.17	1068626.78	3		
141	646700.07	1068627.39	3		
142	646701.13	1068630.19	3		
143	646686.31	1068632.49	3		
144	646687.35	1068635.31	3		
145	646672.80	1068637.51	3		
146	646673.84	1068640.33	3		
147	646660.60	1068641.94	3		
148	646661.64	1068644.76	3		
149	646649.27	1068646.12	3		
150	646650.43	1068648.88	3		
151	646610.09	1068664.62	3		
152	646611.37	1068667.34	3		
153	646597.23	1068670.57	3		
154	646598.51	1068673.29	3		
155	646583.24	1068677.23	3		
156	646584.52	1068679.93	3		
157	646565.13	1068685.82	3		
158	646566.41	1068688.54	3		
159	646472.63	1068719.37	4		
160	646471.88	1068722.50	4		
161	646452.99	1068722.00	3		
162	646453.37	1068724.98	3		
163	646448.36	1068722.55	3		
164	646448.74	1068725.53	3		
165	646442.03	1068723.38	3		
166	646442.43	1068726.36	3		
167	646400.12	1068728.93	3		
168	646401.04	1068731.83	3		
169	646357.28	1068751.35	3		
170	646358.70	1068753.99	3		
171	646313.54	1068775.49	3		
172	646315.00	1068778.11	3		
173	646296.15	1068785.43	3		
174	646293.19	1068790.56	3		
175	646981.82	1068382.36	3		
176	646970.27	1068391.02	3		
177	646966.59	1068389.60	8		
178	646957.76	1068395.44	3		
179	646970.07	1068414.99	3		
180	646967.38	1068416.34	3		
181	646928.79	1068437.84	8		
182	646927.52	1068441.85	8		
183	646926.28	1068439.11	8		
184	646924.99	1068443.14	8		

## Seznam souřadnic (S-JTSK)

Číslo bodu Souřadnice pro zápis do KN

Y X Kód kv. Poznámka

k.ú. Chrudim (654299)

185	646853.48	1068477.79	8	
186	646852.00	1068482.02	8	
187	646765.80	1068545.18	3	
188	646757.96	1068568.56	3	
189	646748.03	1068621.76	3	
190	646747.42	1068624.78	3	
191	646739.28	1068622.02	8	
192	646738.08	1068625.06	8	
193	646736.92	1068622.09	8	
194	646735.73	1068625.13	8	
195	646646.79	1068647.29	8	
196	646645.76	1068651.09	3	
197	646644.46	1068648.39	3	
198	646640.74	1068650.15	8	
199	646642.05	1068652.84	8	
200	646616.19	1068661.74	3	
201	646617.27	1068664.55	3	
202	646613.71	1068662.91	8	
203	646612.12	1068666.99	8	
204	646460.89	1068720.94	4	
205	646460.18	1068724.07	4	
206	646455.36	1068721.68	4	
207	646456.98	1068724.50	4	
208	646449.66	1068722.40	3	
209	646450.82	1068725.28	3	
210	646434.73	1068724.35	3	
211	646432.52	1068727.67	3	
212	646381.98	1068738.42	3	
213	646385.01	1068740.22	3	
214	646365.87	1068750.24	4	
215	646360.21	1068749.82	4	
216	646356.62	1068751.71	3	
217	646353.84	1068756.67	3	
218	646549.61	1068693.10	3	
219	646550.89	1068695.82	3	
220	646521.40	1068706.27	8	
221	646519.07	1068710.67	8	
222	646577.23	1068680.08	8	
223	646575.60	1068684.17	8	
224	646551.57	1068692.18	8	
225	646549.67	1068696.39	8	
226	646645.39	1068651.26	8	

k.ú. Vestec u Chrudimi (654361)

46-215	646250.67	1068815.89	4	
46-217	646267.92	1068805.40	4	
3	646281.38	1068793.86	3	
4	646282.90	1068796.44	3	
5	646245.89	1068815.22	3	
6	646247.44	1068817.79	3	
7	646284.82	1068795.34	3	
8	646249.25	1068816.70	3	