



Versatile Block Heaters Designed for Everyday Use with Accessories for Every Application

Versatile Dry Block Heaters are ideal for applications that require temperature stability. Close tube-to-block contact enables maximum heat retention, resulting in efficient heating. Digital models offer exceptional temperature uniformity and stability for repeatable results, while non-digital models are an economical choice. All units hold optional interchangeable modular blocks with over 40 choices. Blocks are easy to use, no tools required.

Standard Features:

- **Delivering Exceptional Temperature Stability and Uniformity**
Three models to customize your application. All models offer exceptional temperature uniformity with outstanding temperature stability.
- **Heated Lid Model Reduces Condensation on Lids to Maintain Sample Integrity**
A second heater in the lid helps minimize condensation to maintain sample integrity, providing reliable, repeatable results. Easily monitor settings with independent displays for temperature and time.
- **Calibrate to an External Temperature Device with Temperature Calibration Mode**
Digital models with user calibration feature allows you to match the Block Heater's display to your known external temperature standard which improves the temperature accuracy of the system.

2 Block Dry Block Heaters

Model	HB2AL	HB2DG	HB2DGH
Control	Non-Digital	Digital	Digital
Temperature Range	Low Ambient + 5 °C - 100 °C, High 75 °C - 150 °C	Ambient + 5 °C - 120 °C	Ambient + 5 °C - 100 °C
Stability @ 37 °C	± 1.5 °C	± 0.1 °C	
Uniformity @ 37 °C	± 0.1 °C		
Heat Up Time to 100 °C	≤ 16 min		≤ 30 min
Temperature Calibration	NA	.	
Number of Blocks	2		
Overshoot Protection	NA	10 °C above set point	
Working Environment	64 ° F - 91 ° F, 20% - 80% relative humidity, non-condensing / 18 ° C - 33 ° C, 20% - 80% relative humidity, non-condensing		
Power	230V, 1.75A, 50/60Hz		230V, 3A, 50/60Hz
Power Consumption	210 W		400 W
Dimensions (W × L × H)	8 × 15.4 × 3.5 in. / 203 × 391 × 89 mm		8 × 15.4 × 7 in. / 203 × 391 × 178 mm
Net Weight	6.2 lb / 2.8 kg		6.8 lb / 3.1 kg

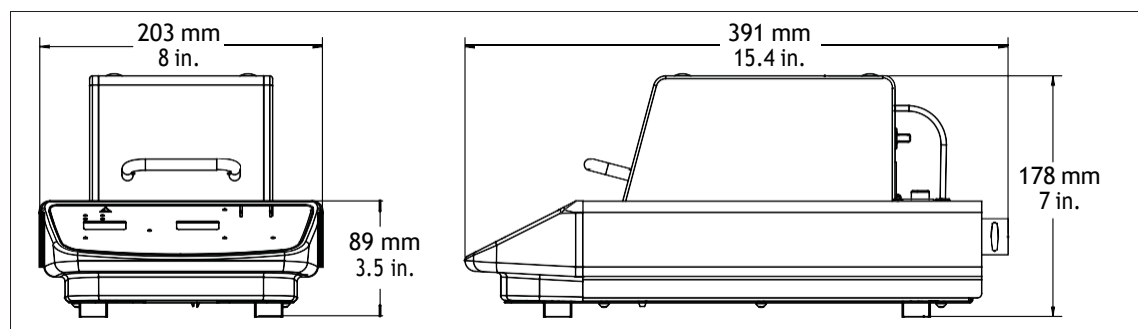
Other Standard Features and Equipment

Touchpad control and audible alarm (digital models), painted steel housing, digital models include support rod holder with locking knob, detachable 3-wire cord and plug (included)

Accessories

Module Block 10 mm Test Tube, 24 Wells	30400151
Module Block 12/13 mm, 20 Wells	30400152
Module Block 15/16 mm, 12 Wells	30400153
Module Block 20 mm Test Tube, 8 Wells	30400154
Module Block 25 mm Test Tube, 6 Wells	30400155
Module Block Combo - Test Tube Combination Block:	
6 mm, 12/13 mm, 25 mm.....	30400156
Module Block 0.5 mL Microtaper, 30 Wells.....	30400157
Module Block 6 mm Test Tube, 30 Wells	30400158
Module Block 1.5 mL Microtaper, 20 Wells.....	30400159
Module Block Solid	30400160
Module Block Cuvette - 12 Cuvet, 2 Wells	30400161
Module Block 11.5/1.5 mL Microcentrifuge, 20 Wells	30400162
Module Block 250 Microliter/6 mm, 30 Wells.....	30400163
Module Block Titer Plate	30400164
Module Block 12/13 mm, 16 Wells	30400165
Module Block Solid Double	30400166
Module Block 35 mm Test Tube, 4 Wells	30400167
Module Block 50 mL Conical Centrifuge, 5 Wells	30400168
Module Block 0.2 mL Micro, 80 Wells.....	30400169
Module Block 0.2 mL Micro, 64 Wells.....	30400170
Module Block 0.2 mL 96 Hole Double Block.....	30400171

Dimensions



Compliance

- **Product Safety:** CAN/CSA C22.2 61010-1, CAN/CSA C22.2 61010-2-010, CAN/CSA C22.2 61010-2-051, UL 61010-1
- **Electromagnetic Compatibility:** ICES-003 Class A, FCC Part 15 Class A
- **Compliance Marks:** TÜV SÜD

Module Block 15 mL Conical Centrifuge, 12 Wells ...	30400172
Sand Bath, 2 Block Unit.....	30400174
Sand, 0.5 kg (1 lb) Bag	30400177
Stainless Steel Shot, 0.5 kg (lb)	30400178
Cover Low-Temperature 2 Block*	30400179
Module Block For Vials 12 mm, 20 Wells	30400182
Module Block For Vials 15 mm, 20 Wells	30400183
Module Block For Vials 17 mm, 12 Wells	30400184
Module Block For Vials 19 mm, 12 Wells	30400185
Module Block For Vials 21 mm, 9 Wells.....	30400186
Module Block For Vials 23 mm, 8 Wells.....	30400187
Module Block For Vials 25 mm, 8 Wells.....	30400188
Module Block For Vials 28 mm, 6 Wells.....	30400189
Module Block For Vials 16 mm, 15 Wells	30400190
Module Block, 2.0 mL Tube, 20 Wells	30400191
Module Block, 2.0 mL Corning Tube, 20 Wells	30400192
Module Block Combo - Centrifuge Tube Configuration:	
50 mL-2 Wells, 15 mL-3 Wells, 1.5 mL-4 Wells	30400193
Module Block Combo - Micro Tube Combination:	
2 mL-5 Wells, 1.5 mL-10 Wells, 0.5 mL-6 Wells.....	30400194
Module Block 17/18 mm, 12 Wells	30400195
Stainless Steel Probe Kit**	30400246

*NA for HB2DGH **NA for HB2AL

OHAUS CORPORATION

7 Campus Drive
Suite 310
Parsippany, NJ 07054 USA

Tel: 800.672.7722
973.377.9000
Fax: 973.944.7177

www.ohaus.com

The management system governing the manufacture of this product is ISO 9001:2015 certified.

